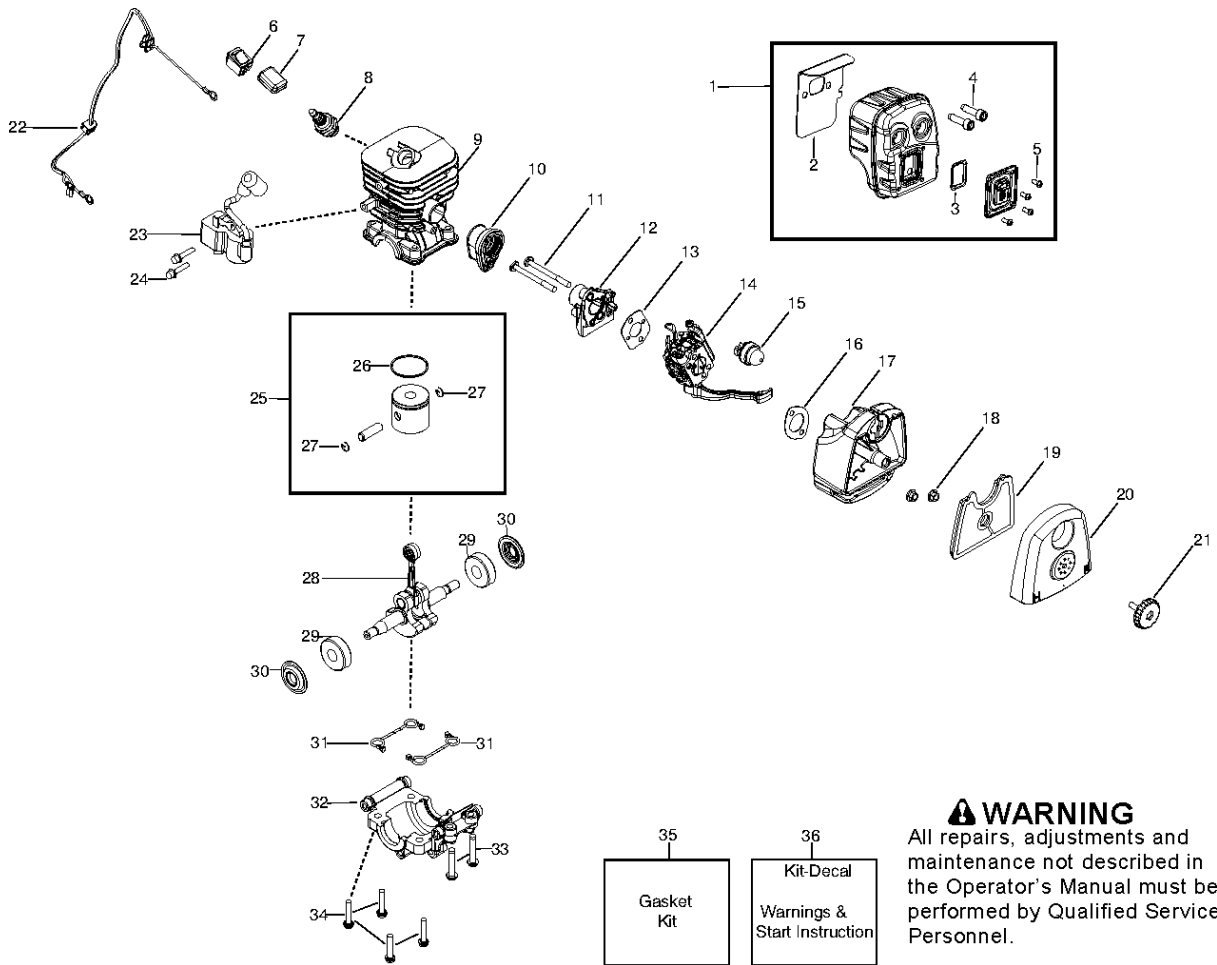




# SPARE PARTS LIST

## BLOWERS

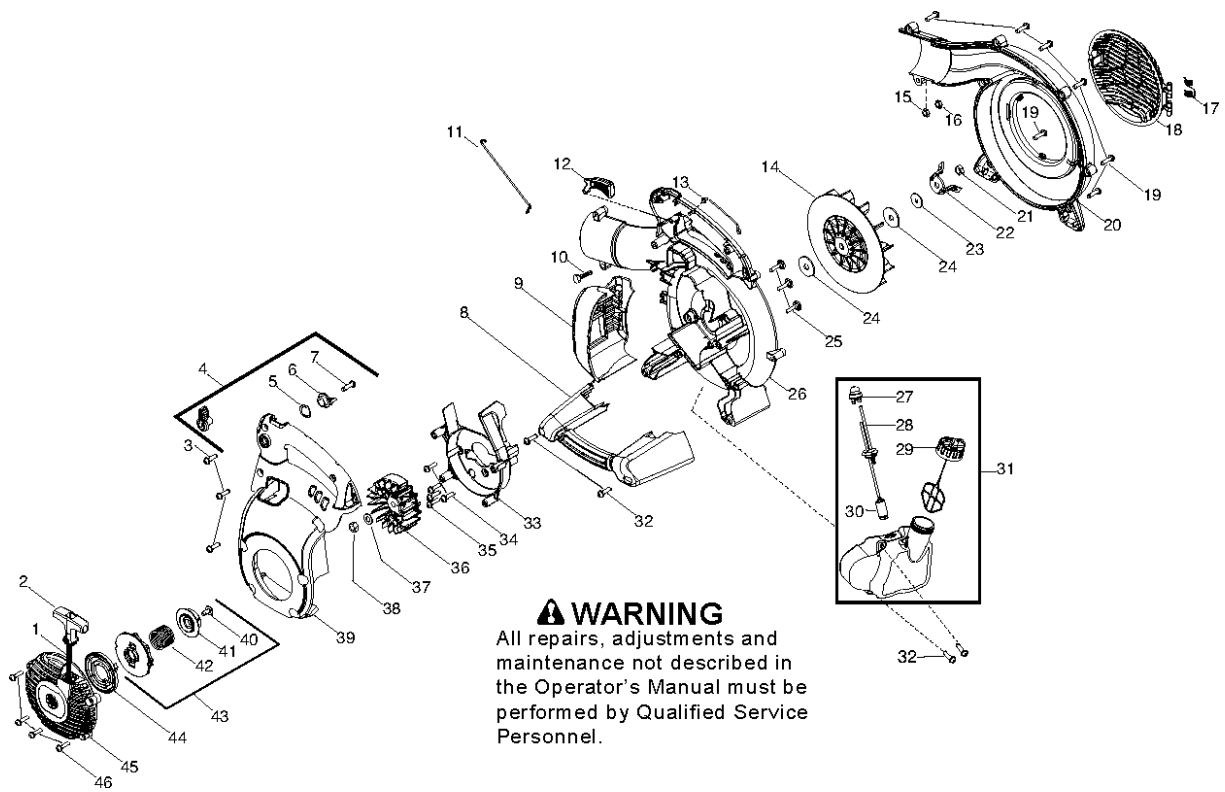
125 BVX, 2011-04, EU, RoW, AU, NZ



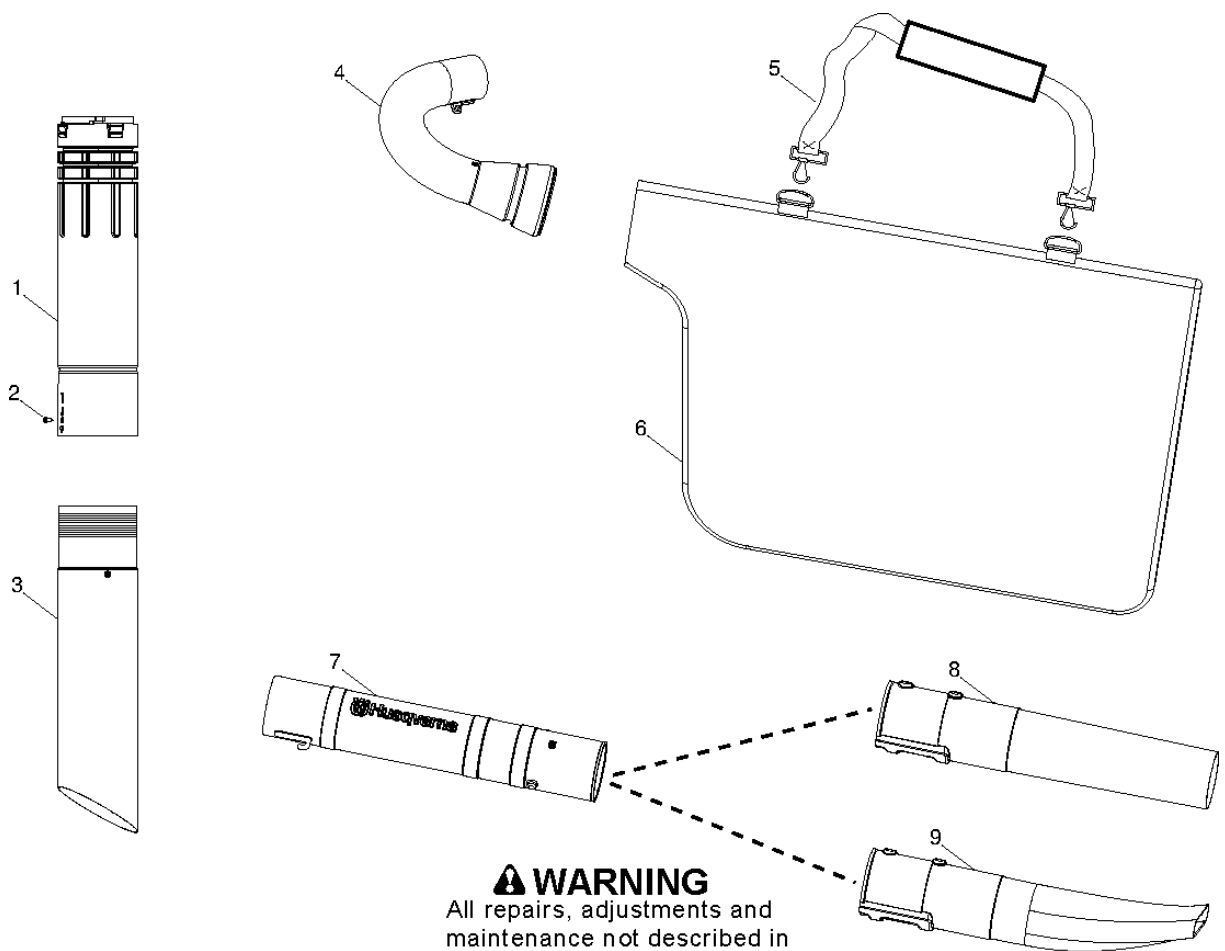
## MOTOR

125 BVX, 2011-04, EU, RoW, AU, NZ

Ref	Diel č.	Popis	Poznámka	Mno SADA žstvo
1	545 11 19-01	VÝFUK - ZOSTAVA	(Incl 2,3,4,5)	1
2	545 08 18-13	TESNENIE		1
3	545 08 18-10	KIT	(Incl 5)	1
4	530 05 89-82	SKRUTKA		1
5	530 01 52-41	SKRUTKA		1
6	545 04 93-01	VYPÍNAČ		1
7	545 12 82-01	PROTECTOR, SWITCH		1
8	952 03 02-49	ZAPALOVARIA SVIEČKA		1
9	***	TBD	Cylinder - Chrome	1
10	545 13 25-01	BOOT, CARB		1
11	530 01 61-87	SKRUTKA		1
12	545 13 33-01	PLOŠINA		1
13	545 08 18-13	TESNENIE		1
14	545 08 18-11	KIT	(Incl 13,16)	1
15	530 04 77-21	PRIMER		1
16	545 08 18-13	TESNENIE		1
17	545 10 98-01	BASE, AIRBOX		1
18	530 01 61-01	MATICA		1
19	545 11 21-01	VZDUCHOVÝ FILTER		1
20	545 10 96-01	COVER		1
21	530 05 97-96	KNOB ASSY AIRBOX COVER		1
22	545 10 82-02	ASSY, LEADWIRE		1
23	545 10 81-01	MODUL ZAPALOVANIA		1
24	530 01 64-56	SKRUTKA		1
25	545 08 18-14	KIT	(Incl 26,27)	1
26	530 01 92-83	PIESTNY KRÚŽOK		1
27	530 01 51-62	POISTNÝ KRÚŽOK		1
28	545 08 18-16	KIT		1
29	545 01 34-01	LOŽISKO		1
30	545 08 18-15	KIT		1
31	545 08 18-13	TESNENIE		1
32	545 06 83-01	STREDOVÝ KRYT		1
33	530 01 59-40	SKRUTKA		1
34	530 01 58-97	SKRUTKA		1
35	545 08 18-13	TESNENIE	(Incl 2,13,16,31)	1
36	545 08 18-61	ŠTÍTKO		1



Ref	Diel č.	Popis	Poznámka	Mno SADA žstvo
1	545 08 18-17	KIT		1
2	545 04 32-04	ŠARTOVACIA RUKOVÄŤ		1
3	530 01 58-14	SKRUTKA		1
4	545 08 18-22	KIT	(Incl 5,6,7)	1
5	530 01 51-47	PODLOŽKA		1
6	545 11 15-01	RATCHET CRUISE CONTROL		1
7	530 01 58-14	SKRUTKA		1
8	545 11 90-02	HANDLE - ASSIST		1
9	545 15 79-01	ASSY, MUFFLER GUARD		1
10	545 00 35-02	SKRUTKA		1
11	545 11 13-01	DRÖT		1
12	545 11 16-01	TRIGGER, THROTTLE		1
13	545 13 17-01	DRÖT		1
14	545 17 32-01	OBEŽNÉ KOLESO		1
15	530 01 51-97	MATICA		1
16	530 01 55-15	LOCKNUT 1/4-20		1
17	545 11 11-01	PRUŽINA		1
18	545 11 12-01	COVER		1
19	530 01 58-14	SKRUTKA		1
20	575 53 32-01	ASSEMBLY	(Incl. 17,18)	1
21	545 14 71-01	MATICA		1
22	***	TBD	Blade - Mulch	
23	***	TBD	Washer	1
24	545 16 45-01	PODLOŽKA		1
25	530 01 64-45	SCREW FUEL TANK RETAINER		1
26	545 11 00-01	SCROLL - INNER		1
27	530 04 77-21	PRIMER		1
28	545 08 18-41	KIT	(Incl. 27,30)	1
29	530 15 03-50	UZÁVER NÁDRŽE		1
30	530 09 56-46	FILTER		1
31	545 10 89-01	PALIVOVÁ NÁDRŽ - ZOSTAVA	(Incl. 27,28,29,30)	1
32	530 01 58-14	SKRUTKA		1
33	***	TBD	Scroll - Flywheel	1
34	530 01 58-14	SKRUTKA		1
35	530 01 58-10	SKRUTKA		1
36	545 08 88-01	ZOTRVAČNÍK - ZOSTAVA		1
37	530 01 58-28	PODLOŽKA		1
38	530 01 61-34	MATICA		1
39	545 10 88-01	COVER		1
40	545 11 28-01	SKRUTKA		1
41	545 08 90-01	ČAP		1
42	545 11 59-01	PRUŽINA		1
43	545 00 60-84	KIT	(Incl. 40,41,42)	1
44	530 04 20-95	PRUŽINA		1
45	545 11 18-01	HOUSING - STARTER COVER		1
46	530 01 58-10	SKRUTKA		1
	115 38 78-27	MANUAL		1
	545 09 42-01	SCRENCH		1



**⚠ WARNING**

All repairs, adjustments and maintenance not described in the Operator's Manual must be performed by Qualified Service Personnel.

Ref	Diel č.	Popis	Poznámka	Mno SADA žstvo
1	545 13 12-01	ASSY, UPPER VAC TUBE		1
2	545 14 41-01	SKRUTKA		1
3	545 11 96-01	TRUBKA		1
4	575 47 88-01	TRUBKA		1
5	545 13 29-01	POPRUH		1
6	545 11 98-01	KÔŠ		1
7	545 14 02-01	TRUBKA		1
8	545 11 80-01	TRUBKA		1
9	545 11 95-01	FLARE, LOWER TUBE		1