

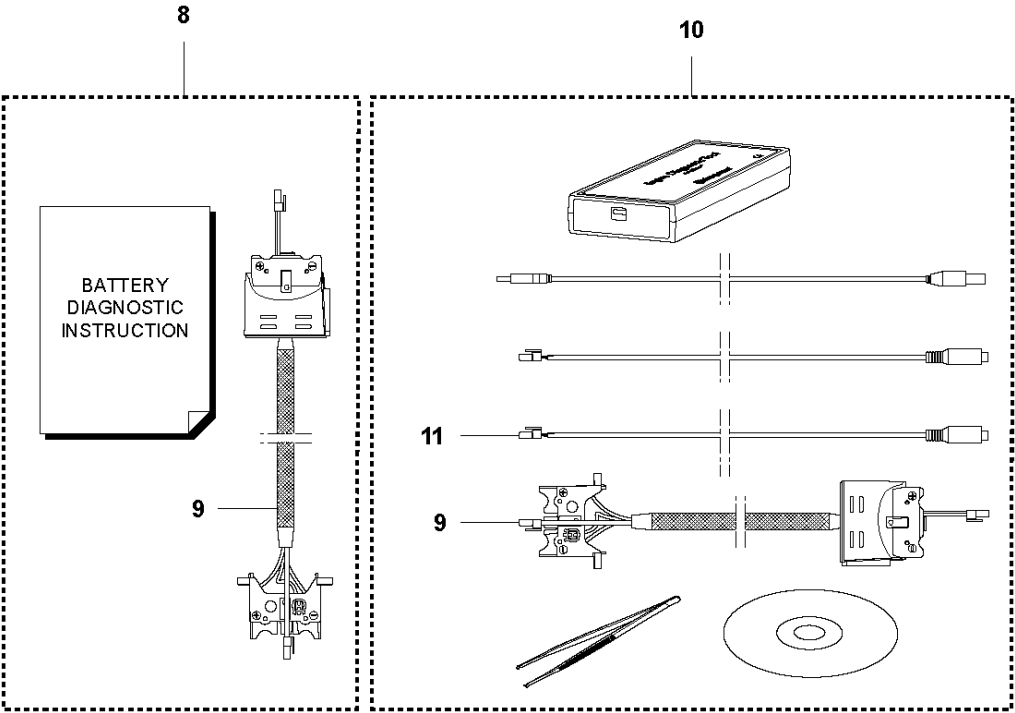
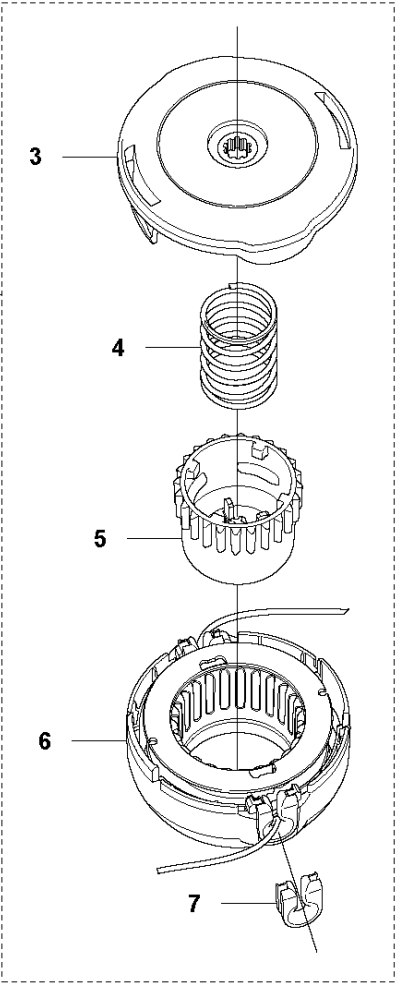
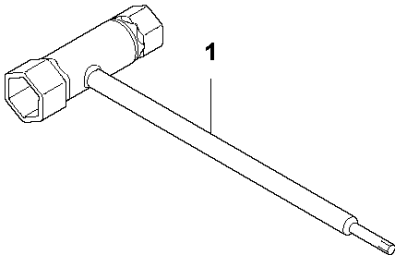


# SPARE PARTS LIST

BRUSHCUTTERS/CLEARING SAWS

536 LiR

**F1** 536 LiL / LiR  
ACCESSORIES

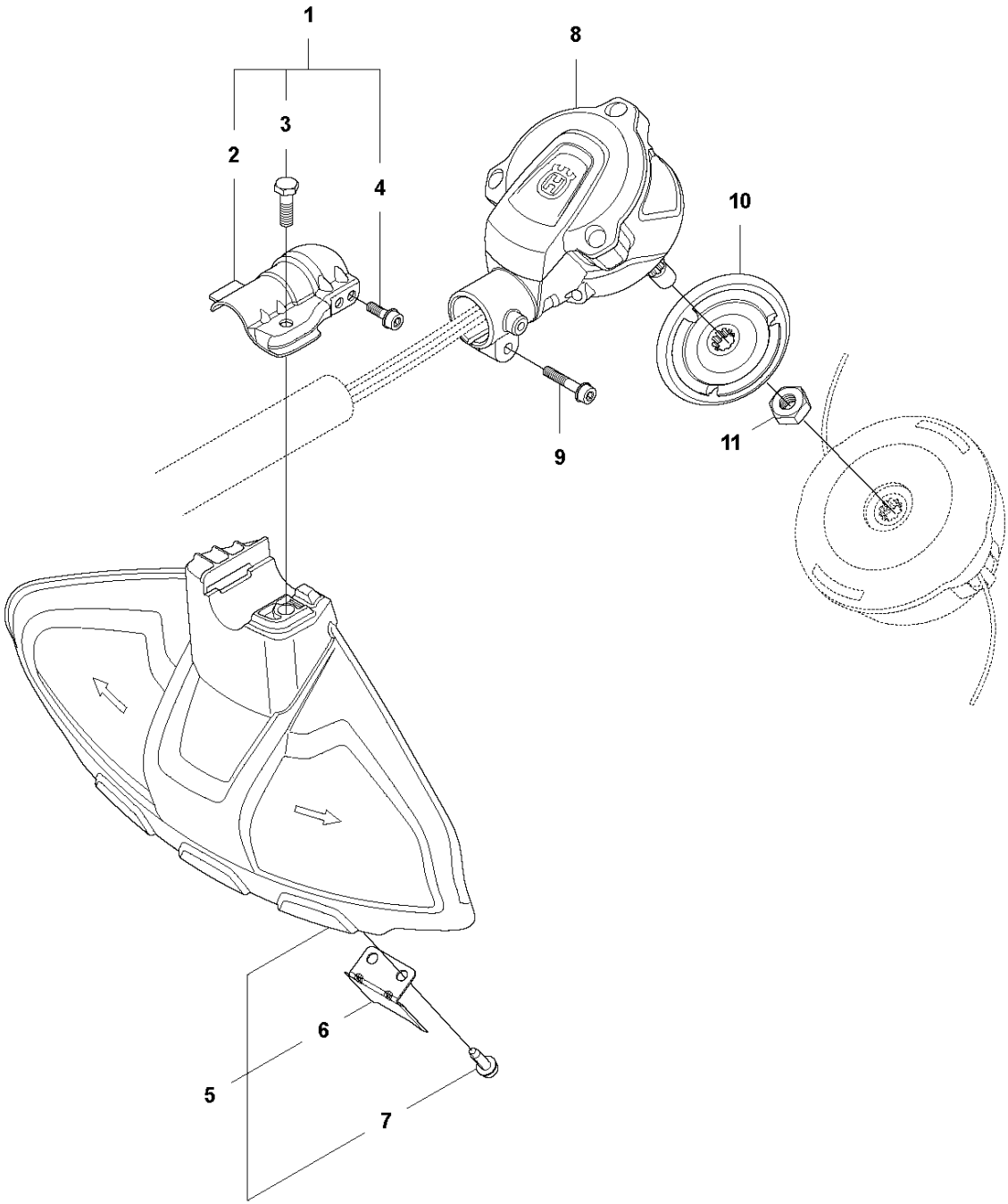


## ACCESSORIES

536 LiR

Ref	Part No	Description	Remark	QTY	KIT
1	501 68 89-01	SLEEVE TOOL		1	
2	579 29 40-01	TRIMMER HEAD		1	
3	578 19 68-01	HOUSING ASSY		1	2
4	577 05 03-01	SPRING		1	2
5	577 04 93-01	KNOB		1	2
6	578 19 69-01	COVER		1	2
7	501 33 04-01	GROMMET		2	
8	581 19 23-01	DIAGNOSTIC TOOL		1	
9	579 62 13-01	WIRING ASSY		1	8, 10
10	576 95 22-01	CABLE ASSY		1	
11	583 89 71-01	DIAGNOSTIC TOOL KIT	Ref 15 + 576 69 23 01	1	10

**A** 536 LiL / LiR  
CUTTING

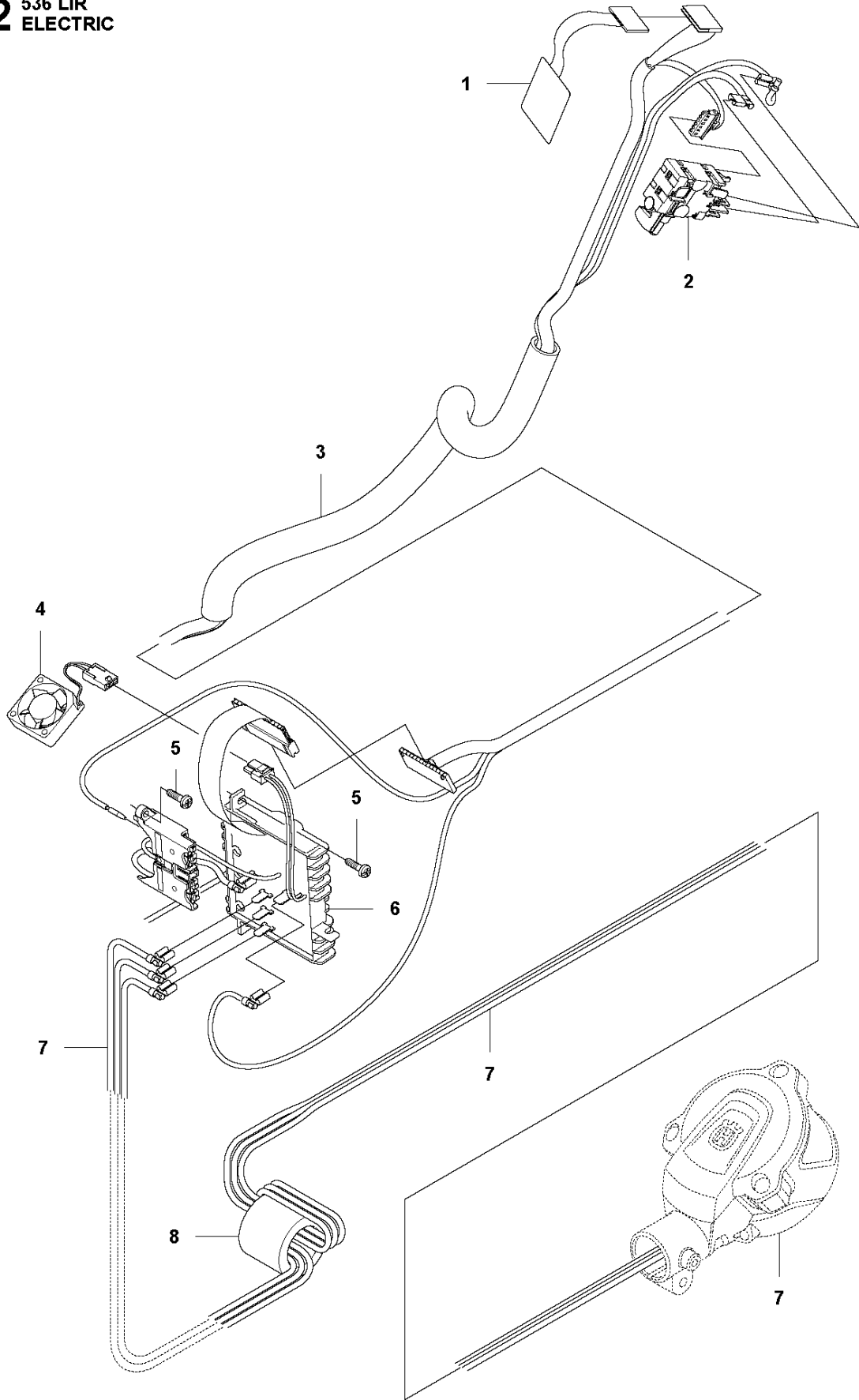


## CUTTING EQUIPMENT

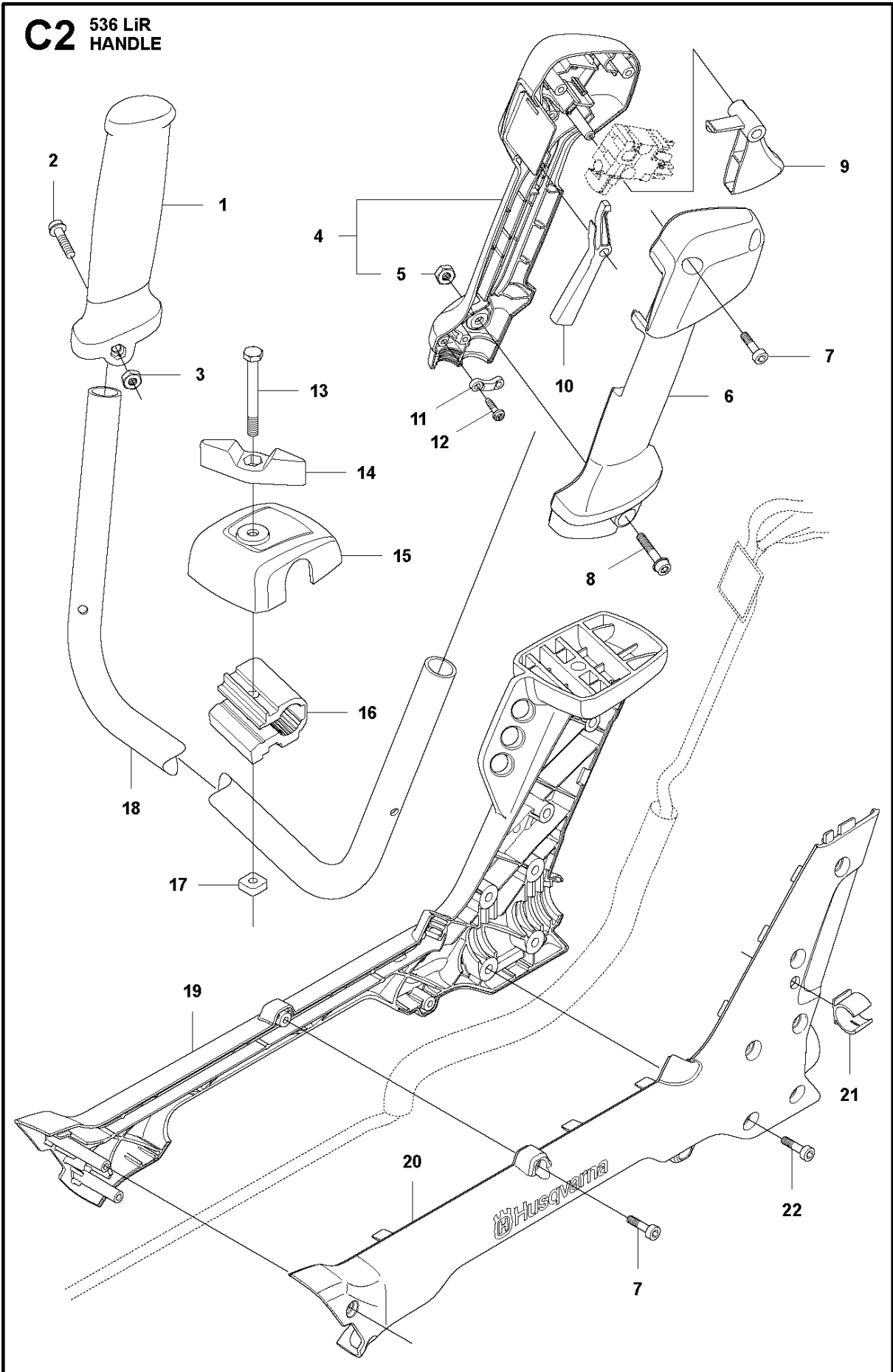
536 LiR

Ref	Part No	Description	Remark	QTY	KIT
1	574 30 69-01	CLAMP		1	
2	503 93 55-01	CLAMP.GUARD		1	1
3	725 23 70-71	SCREW EHHM		1	1
4	503 20 14-12	SCREW IHSCFMO		1	1
5	577 01 83-02	TRIMMER GUARD ASSY		1	
6	574 52 34-01	KNIFE		1	5
7	503 21 07-16	SCREW IHSCFT		2	5
8	577 02 21-02	MOTOR ASSY		1	
9	503 20 07-78	SCREW IHSCFM		1	
10	577 01 90-01	DRIVER ASSY		1	
11	578 78 93-01	NUT		1	

**E2** 536 LiR  
ELECTRIC



Ref	Part No	Description	Remark	QTY KIT
1	585 85 55-01	KEY PAD		1
2	577 03 38-01	TRIGGER SWITCH		1
3	577 98 35-01	WIRING ASSY		1
4	577 86 37-01	FAN		1
5	503 21 28-13	SCREW CCRPANT		4
6	578 40 09-01	CONTROL UNIT		1
7	577 02 21-02	MOTOR ASSY		1
8	577 97 66-01	FERRITE CORE		1





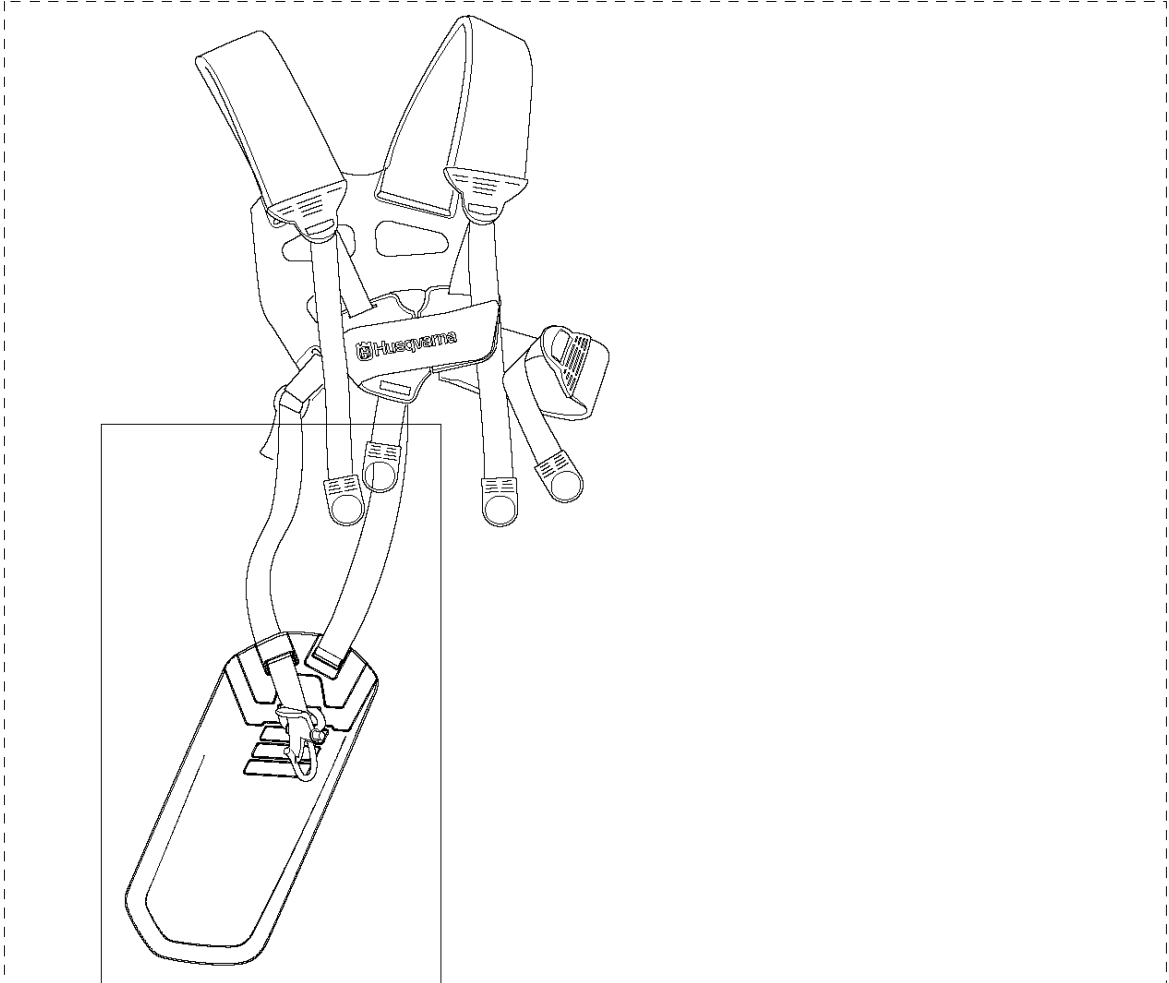
## HANDLE

536 LiR

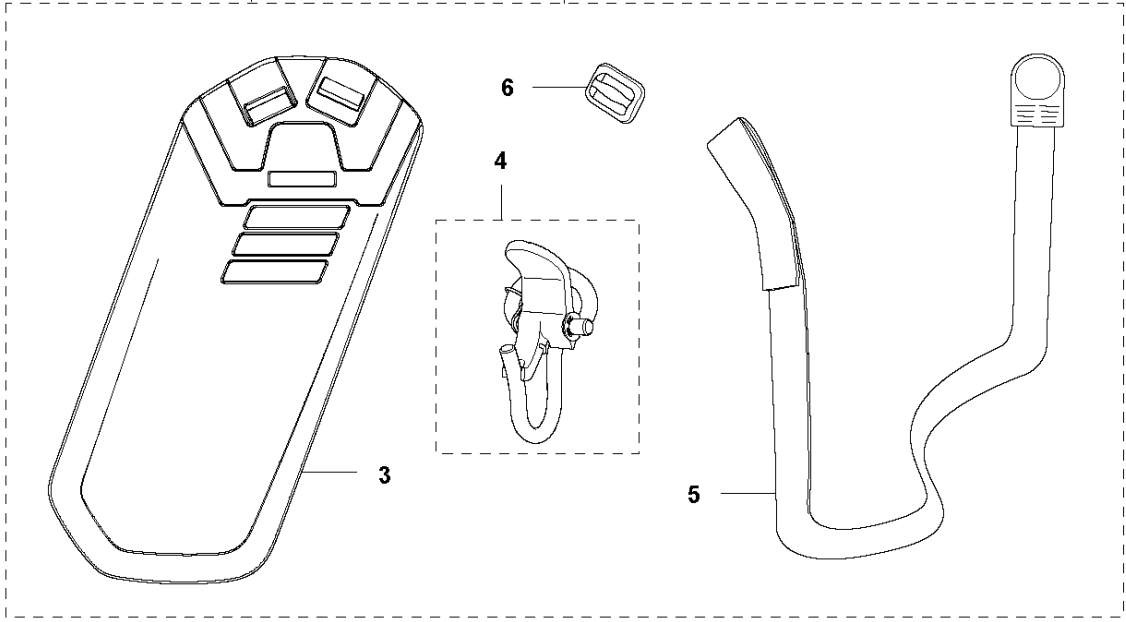
Ref	Part No	Description	Remark	QTY KIT
1	537 17 28-02	HANDLE		1
2	503 20 02-45	SCREW IHSCFM		1
3	731 23 14-01	HEXAGON NUT		1
4	579 32 38-01	HANDLE HALF		1
5	731 23 14-01	HEXAGON NUT		1
6	577 18 35-01	HANDLE HALF RIGHT		1
7	503 21 66-74	SCREW IHST		7
8	503 20 07-35	SCREW IHSCFM		1
9	577 18 37-01	THROTTLE CONTROL		1
10	577 22 37-01	THROTTLE LOCKOUT		1
11	577 88 34-01	FASTENER		2
12	503 21 28-13	SCREW CCRPANT		4
13	725 23 84-81	SCREW EHHM		1
14	502 20 38-01	KNOB		1
15	576 22 01-01	COVER HANDLE BAR		1
16	544 02 09-01	CLIP		1
17	502 19 71-01	SQUARE NUT		1
18	537 36 00-02	HANDLEBAR		1
19	577 24 53-01	WEAR PROTECTION		1
20	577 18 39-01	WEAR PROTECTION		1
21	578 12 79-01	CLIP		1
22	503 20 07-78	SCREW IHSCFM		6

**G** BALANCE 35B  
HARNESS

1



2

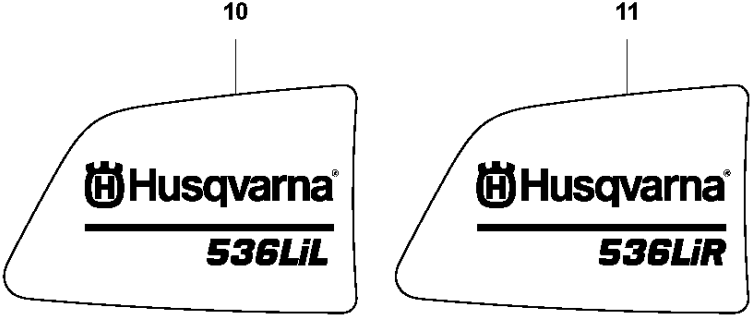
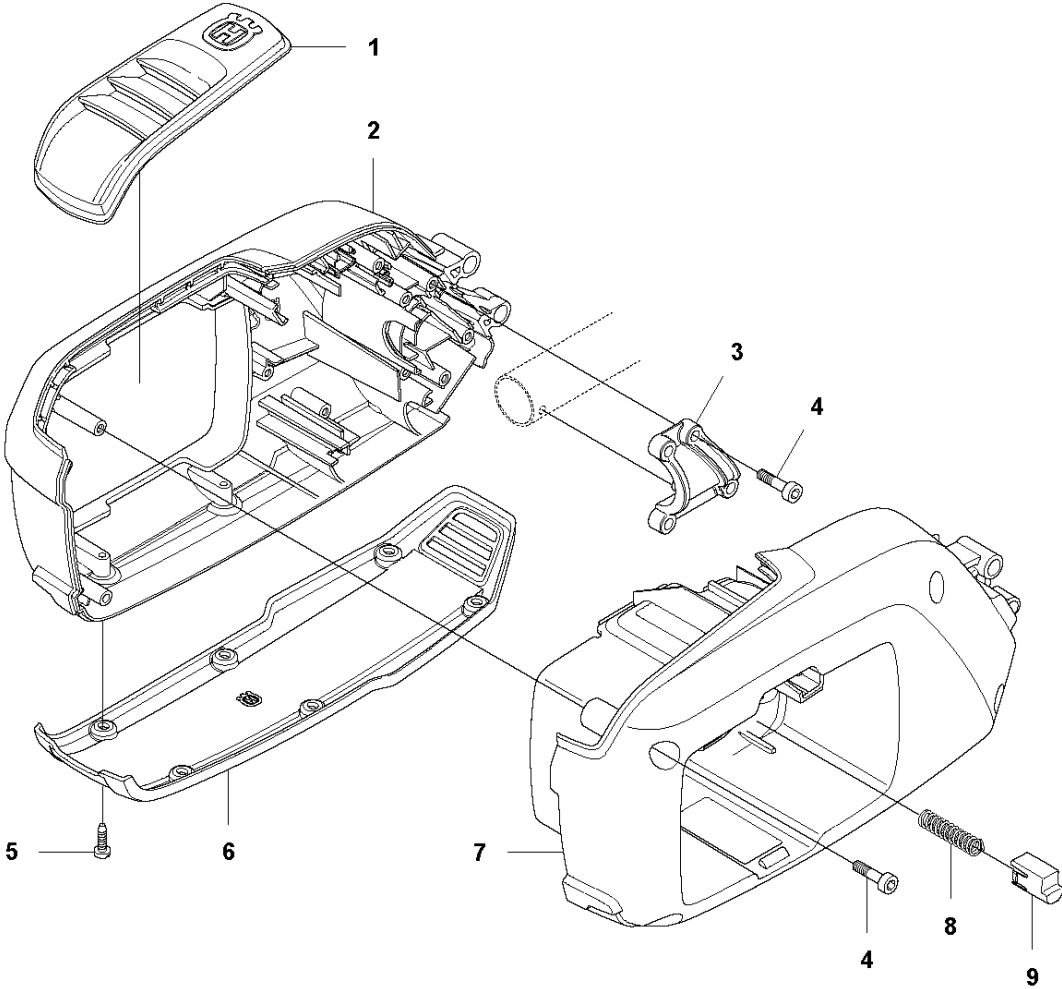


HARNESS

536 LiR

Ref	Part No	Description	Remark	QTY KIT	
1	537 27 57-05	HARNESS		1	
1	537 27 57-06	HARNESS	US	1	
2	587 83 40-01	HIP PAD		1	
3	579 49 14-01	HIP PAD		1	1
4	502 02 28-05	WELT HOOK		1	1
5	503 99 61-03	BAND		1	4
6	537 28 70-01	BUCKLE		1	4

**D** 536 LiL / LiR  
BATTERY HOUSING

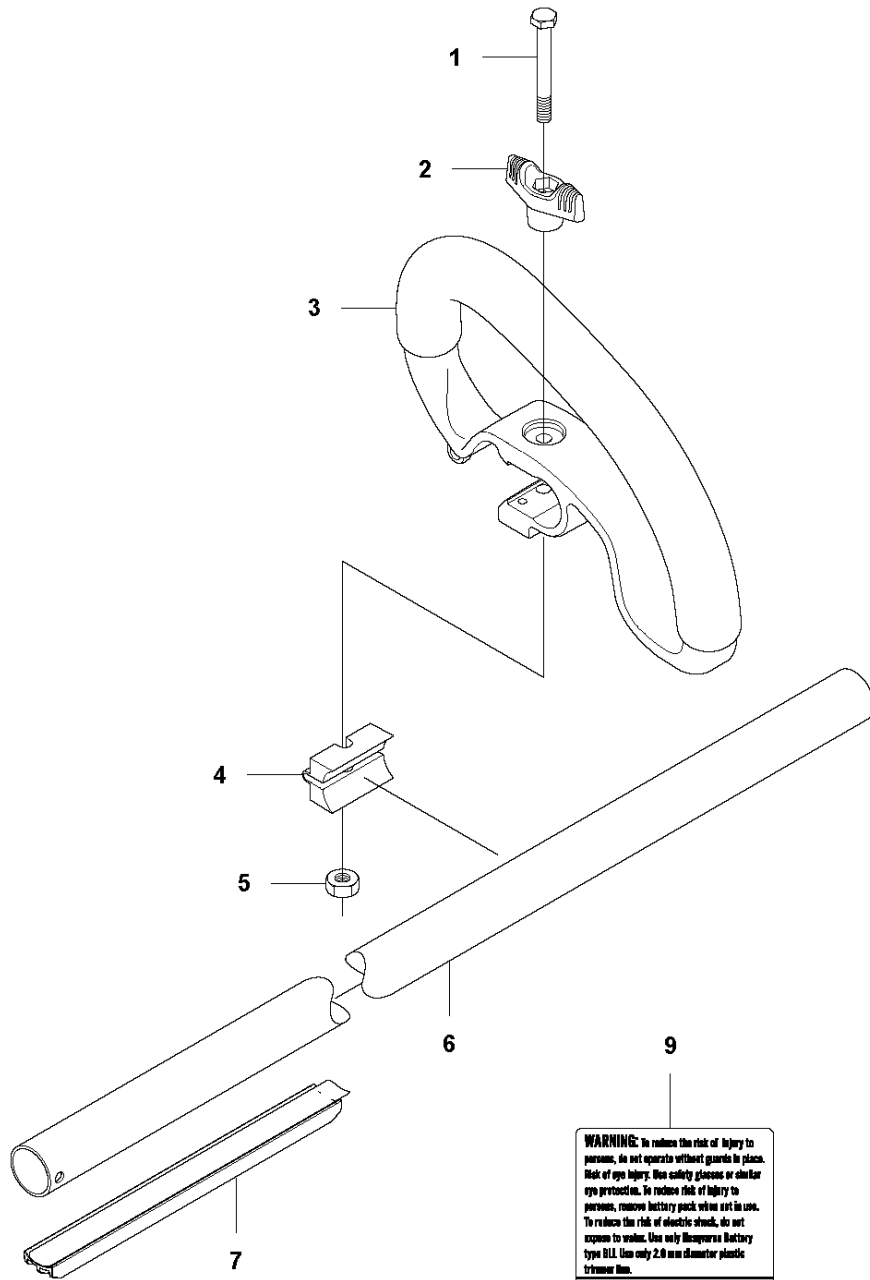


## HOUSING

536 LiR

Ref	Part No	Description	Remark	QTY KIT
1	577 01 41-01	COVER		1
2	577 00 76-01	HOUSING		1
3	577 02 22-01	CLAMP		1
4	503 21 66-74	SCREW IH SCT		8
5	503 21 28-13	SCREW CCRPANT		6
6	577 01 42-01	SKID PLATE		1
7	577 01 30-01	HOUSING RIGHT		1
8	577 99 65-01	SPRING		1
9	577 99 66-01	PUSH BUTTON		1
10	579 00 62-02	DECAL	536 LiL only	1
11	579 00 62-03	DECAL	536 LiR only	1

**B** 536 LiL / LiR  
TUBE



	<b>6000rpm</b>
	<b>ETI BMS&amp;C</b>
<b>ON1485</b>	
<b>EUROPE</b> 	<b>98dB</b>
	<b>EAC</b>

**WARNING:** To reduce the risk of injury to persons, do not operate without guards in place. Risk of eye injury. Use safety glasses or similar eye protection. To reduce risk of injury to persons, remove battery pack when not in use. To reduce the risk of electric shock, do not expose to water. Use only Husqvarna Battery type D1L. Use only 2.0 mm diameter plastic trimmer line.

**AVERTISSEMENT:** Afin de réduire les risques de blessure, ne pas faire fonctionner sans que les garde de sécurité ne soient pas en place. Risque de blessure. Utilisez des lunettes de protection ou tout autre dispositif de protection des yeux. Afin de réduire les risques de blessure, retirez le batterie lorsque la machine n'est pas utilisée. Afin de réduire les risques de choc électrique, ne pas utiliser sur des surfaces mouillées. Utilisez uniquement des batteries Husqvarna de type D1L. Utilisez uniquement des fils de taille plastique de 2,0 mm de diamètre.

**ADVERTENCIA:** Para reducir el riesgo de producir daños a personas, no opere la unidad si los protectores no están en su lugar. Riesgo de daño ocular. Utilice gafas de seguridad o protección ocular similar. Para reducir el riesgo de producir chocs a personas, quite el conjunto de batería cuando la unidad no se encuentre en uso. Para reducir el riesgo de sufrir una descarga eléctrica, no exponga la unidad al agua. Utilice únicamente baterías Husqvarna tipo D1L. Utilice únicamente líneas plásticas de espesura de 2,0 mm de diámetro.

**Australia NSW**  
**67**  
**NOISE dbA**

**UL**  
CERTIFIED  
E142225

Ref	Part No	Description	Remark	QTY KIT
1	725 23 80-51	SCREW EHHM	536LiL only	1
2	503 87 90-01	KNOB	536LiL only	1
3	503 87 19-06	HANDLE	536LiL only	1
4	503 94 03-01	SPACER	536LiL only	1
5	502 19 71-01	SQUARE NUT	536LiL only	1
6	577 06 14-01	TUBE		1
7	581 07 85-01	SPACER	536LiL only	1
8	579 00 88-02	DECAL		1
9	579 00 91-02	DECAL		1
10	501 97 16-03	LABEL		1

# Illustrated Parts List - IPL Update



Product Name(s)

536LiR

Description of change

Page G: Harness added to IPL.

Comments

Introduced from

Serial number / Date	Remark

IPL updates

Page Title	Ref. no	New part no	Name	Excl. part no.	Remark
G					Entire page added.