

R52 S

Spare parts

Ersatzteile

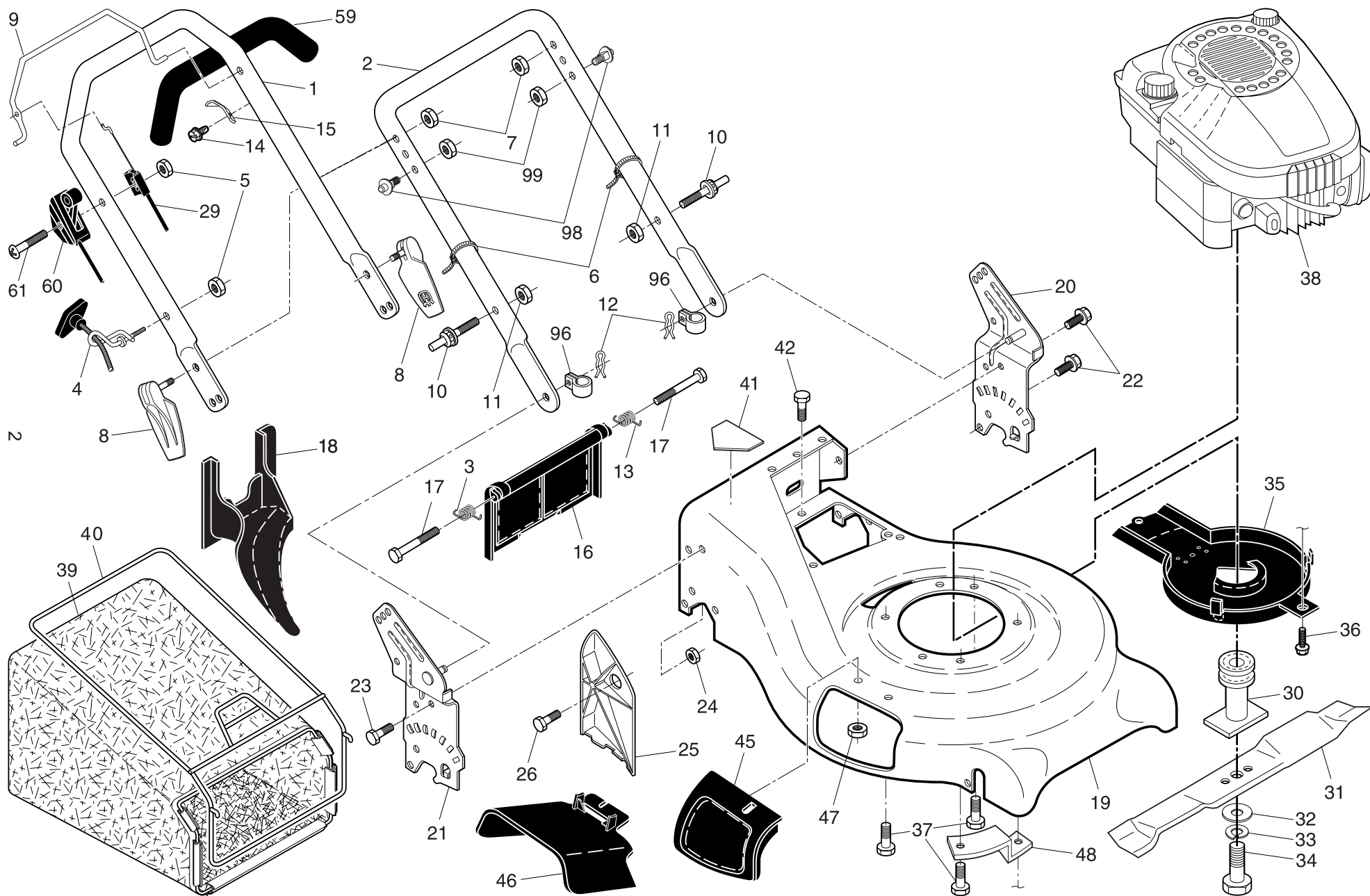
Pièces détachées

Reserve onderdelen

Repuestos

Reservdelar

ROTARY LAWN MOWER - - MODEL NUMBER R 52S (96141006006) PRODUCT NUMBER 961 41 00-60



ROTARY LAWN MOWER - - MODEL NUMBER R 52S (96141006006) PRODUCT NUMBER 961 41 00-60

KEY NO.	PART NO.	DESCRIPTION	KEY NO.	PART NO.	DESCRIPTION
1	532 42 08-35	Handle, Upper, Deluxe Comfort (Includes Grip)	31	532 19 93-77	Blade, 21"
2	532 41 67-03	Handle, Lower	32	532 85 10-74	Washer, Hardened
3	532 40 54-16	Spring, Rear Door, RH	33	532 85 02-63	Lock Washer, Helical Spring 3/8
4	532 19 47-88	Guide, Rope, Side	34	532 85 10-84	Screw, Hex Head 3/8-24 x 1.38
5	532 13 20-04	Nut, Hex, with Lock Washer Insert 1/4-20	35	532 40 58-43	Shield, Debris
6	532 06 64-26	Wire, Tie	36	532 19 23-25	Screw
7	532 40 04-13	Locknut, Hex 1/4-20	37	532 15 04-06	Bolt, Engine, Special, Zinc-Plated
8	532 41 35-07	Knob, Handle	38	- - -	Engine, Briggs & Stratton, Model Number 126T02-1155-B1 (Order parts from engine manufacturer)
9	532 41 10-83	Control Bar, Wire, Deluxe Comfort	39	532 41 04-68	Grassbag
10	532 18 88-21	Bolt, Carriage	40	532 41 19-51	Frame, Grassbag
11	532 75 11-53	Nut, Hex, with Lock Washer Insert 5/16-18 UNC	41	532 18 21-66	Decal, Danger
12	532 05 17-93	Cotter, Hairpin	42	817 06 04-10	Self-Tapping Screw
13	532 40 54-15	Spring, Rear Door, LH	45	532 19 05-10	Mulcher Door Assembly
14	532 75 06-34	Screw, Tapping, Hex Washer Head #10-24	46	532 19 05-12	Discharge Deflector
15	532 12 51-62	Bracket, Upstop	47	532 08 83-49	Nut, Hex
16	532 40 88-88	Rear Door Assembly	48	532 19 09-39	Mounting Bracket, Debris Shield
17	532 18 41-93	Bolt, Rear Door	49	532 16 42-65	Grip, Handle, Foam, Smooth
18	532 19 81-70	Plug, Mulcher	60	532 42 06-10	Throttle Control
19	532 40 80-00	Kit, Lawn Mower Housing	61	532 18 33-65	Screw
20	532 41 82-39	Handle Bracket Assembly, Left	96	532 19 79-91	Clip, Cable
21	532 41 82-51	Handle Bracket Assembly, Right	98	532 19 92-55	Stud
22	817 00 05-12	Screw, Hex Washer Head	99	532 75 11-53	Nut, Hex
23	532 16 31-83	Bolt, Hex Head 5/16-18 x 5/8	--	532 18 21-34	Warning Decal
24	873 80 05-00	Nut, Hex, with Lock Washer Insert 5/16-18	--	532 42 55-28	Operator's Manual, European
25	532 16 13-33	Baffle, Side	--	532 42 55-31	Operator's Manual, Scandinavian
26	532 16 34-09	Screw, Hi-Lo Thread #12 x 5/8	--	532 42 55-40	Operator's Manual, East Bloc
29	532 13 31-07	Cable	--	532 42 55-38	Operator's Manual, Baltic
30	532 18 91-79	Blade Adapter / Pulley			

NOTE: All component dimensions given in U.S. inches. 1 inch = 25.4 mm

IMPORTANT: Use only Original Equipment Manufacturer (O.E.M.) replacement parts. Failure to do so could be hazardous, damage your lawn mower and void your warranty.

ROTARY LAWN MOWER - - MODEL NUMBER R 52S (96141006006) PRODUCT NUMBER 961 41 00-60

KEY NO.	PART NO.	DESCRIPTION
1	532 40 65-31	Cable, Drive
2	532 41 78-21	Bar, Control, Drive
3	532 16 45-57	Bracket, Downstop
4	532 19 96-87	Screw
6	532 75 06-34	Screw, Tapping, Hex Washer Head #10-24
7	532 40 65-57	V-Belt
8	532 19 17-30	Nut, Hex, Flangelock, Zinc Plated 3/8-16
11	532 40 65-58	Spring, Return
13	532 41 92-13	Gearcase Assembly, Complete
14	532 40 57-03	Pulley, Drive
15	532 08 83-48	Washer, Flat 3/8
16	532 40 71-47	Rod, Connecting
17	532 40 96-16	Spring, Extension
18	532 41 88-66	Spring, Selector
19	532 19 00-69	Knob, Selector Spring
20	812 00 00-22	E-Ring 7/8
21	532 41 24-50	Bearing Support
22	532 19 10-39	Bearing, Ball
23	532 16 45-55	Retainer, Drive Assembly, Stamped

KEY NO.	PART NO.	DESCRIPTION
24	817 06 04-10	Screw, Tapping, Hex Head 1/4-20 x 3/4
25	532 40 07-83	Cover, Drive
26	532 75 06-34	Screw, Tapping, Hex Washer Head #10-24 x 1/2
28	812 00 00-58	E-Ring 7/16
29	532 18 94-03	Cover, Dust, Wheel
31	532 40 48-45	Pawl, Drive
32	532 41 31-05	Wheel & Tire Assembly, Rear, Driven
33	532 40 91-48	Nut, Hex Flangelock
34	532 85 12-26	Washer
35	532 41 09-22	Shaft Assembly, Rear
36	532 41 09-33	Shaft Assembly, Front
37	532 16 14-63	Retainer, Front Shaft
38	532 16 34-09	Screw, Hi-Lo Thread #12 x 5/8
39	532 40 70-59	Bolt, Hi-Lo Thread, Semi-Gimlett Point
40	532 41 08-31	Wheel & Tire Assembly, Front
41	532 40 48-35	Pinion
42	532 19 74-80	O-Ring
47	532 06 77-25	Washer 1/2 x 1-1/2 x .134
50	532 41 37-22	Belt Keeper

NOTE: All component dimensions given in U.S. inches. 1 inch = 25.4 mm

IMPORTANT: Use only Original Equipment Manufacturer (O.E.M.) replacement parts. Failure to do so could be hazardous, damage your lawn mower and void your warranty.