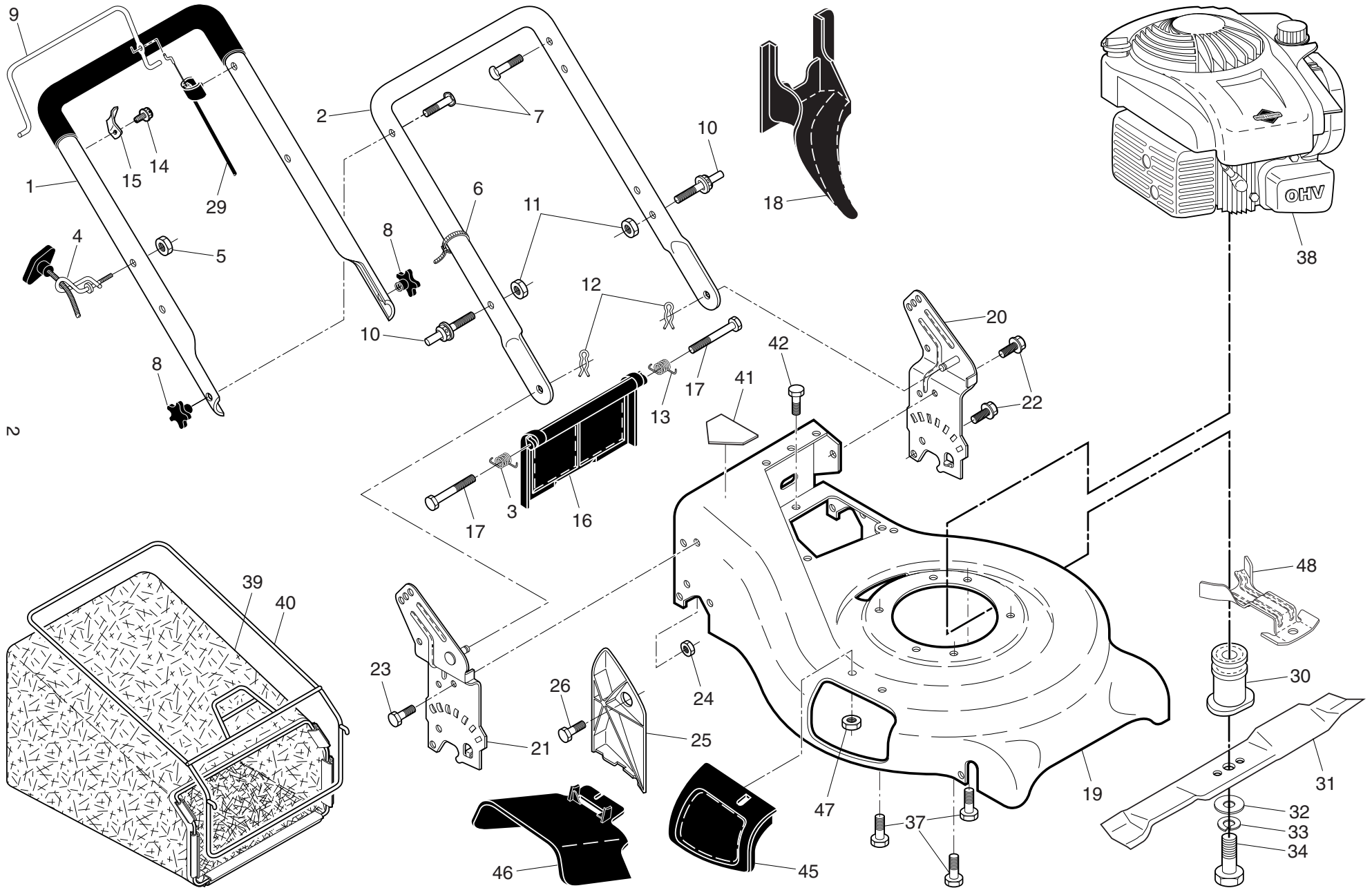


ILLUSTRATED PARTS LIST

MODEL NUMBER LC 153S

MFG. ID. NUMBER 96141029800

HUSQVARNA ROTARY LAWN MOWER - MODEL NUMBER LC 153S (MFG. ID. NUMBER 96141029800)



HUSQVARNA ROTARY LAWN MOWER - MODEL NUMBER LC 153S (MFG. ID. NUMBER 96141029800)

| KEY NO. | PART NO. | DESCRIPTION | KEY NO. | PART NO. | DESCRIPTION |
|---------|--------------|---|---------|--------------|--|
| 1 | 580 63 87-03 | Upper Handle Assembly (Includes Foam Grip) | 25 | 532 16 13-33 | Baffle, Side |
| 2 | 532 19 72-02 | Handle, Lower | 26 | 532 16 34-09 | Screw 12 x 5/8 |
| 3 | 532 40 54-16 | Spring, Rear Door, RH | 29 | 532 44 03-86 | Engine Zone Control Cable |
| 4 | 581 90 21-01 | Rope Guide | 30 | 532 19 59-63 | Blade Adapter / Pulley |
| 5 | 581 91 26-01 | T-Knob | 31 | 532 19 93-77 | Blade, 21" |
| 6 | 532 06 64-26 | Wire, Tie | 32 | 532 85 10-74 | Washer, Hardened |
| 7 | 532 19 15-74 | Bolt, Handle 5/16-18 x 1.75 | 33 | 532 85 02-63 | Lockwasher, Helical Spring 3/8 |
| 8 | 532 18 23-98 | Knob, Handle | 34 | 532 85 10-84 | Screw, Hex Head 3/8-24 x 1.38 |
| 9 | 532 42 68-12 | Bar, Control, Operator Presence | 37 | 532 15 04-06 | Bolt, Engine |
| 10 | 532 18 88-21 | Bolt, Carriage | 38 | - - - | Engine, Briggs & Stratton, Model Number 93J02-0054-H1 (order parts from Briggs & Stratton) |
| 11 | 532 75 11-53 | Nut, Hex, Centerlock 5/16-18 UNC | | | |
| 12 | 532 05 17-93 | Cotter, Hairpin | 39 | 581 00 29-04 | Grassbag |
| 13 | 532 40 54-15 | Spring, Rear Door, LH | 40 | 532 41 19-51 | Frame, Grassbag |
| 14 | 532 17 88-48 | Screw | 41 | 532 18 21-66 | Danger Decal |
| 15 | 532 43 00-34 | Bracket, Upstop | 42 | 817 06 04-10 | Screw |
| 16 | 584 39 59-01 | Rear Door Assembly | 45 | 532 19 05-10 | Mulcher Door Assembly |
| 17 | 532 18 41-93 | Bolt, Rear Door | 46 | 532 19 05-12 | Deflector, Discharge |
| 18 | 532 19 81-70 | Plug, Mulcher | 47 | 532 08 83-49 | Nut, Hex |
| 19 | 532 40 80-00 | Kit, Housing | 48 | 532 42 90-01 | Belt Keeper |
| 20 | 532 41 82-39 | Handle Bracket Assembly, LH | -- | 115 72 82-20 | Operator's Manual, European |
| 21 | 532 41 82-51 | Handle Bracket Assembly, RH | -- | 115 72 82-10 | Operator's Manual, Scandinavian |
| 22 | 532 42 88-67 | Screw, Hex Washer Head | -- | 115 72 82-40 | Operator's Manual, East Bloc |
| 23 | 532 16 31-83 | Bolt, Hex Head 5/16-18 x 5/8 | -- | 115 72 82-50 | Operator's Manual, Baltic |
| 24 | 873 80 05-00 | Nut, Hex, with Lock Washer Insert 5/16-18 | | | |

ω

NOTE: All component dimensions given in U.S. inches. 1 inch = 25.4 mm. **IMPORTANT:** Use only Original Equipment Manufacturer (O.E.M.) replacement parts. Failure to do so could be hazardous, damage your lawn mower and void your warranty.

HUSQVARNA ROTARY LAWN MOWER - MODEL NUMBER LC 153S (MFG. ID. NUMBER 96141029800)

| KEY NO. | PART NO. | DESCRIPTION | KEY NO. | PART NO. | DESCRIPTION |
|---------|--------------|--|---------|--------------|--|
| 1 | 585 04 08-01 | Drive Control Assembly (Includes Cable) | 28 | 812 00 00-58 | E-Ring 7/16 |
| 2 | 585 12 31-02 | Bar, Drive Control | 29 | 581 84 04-01 | Cover, Dust, Wheel |
| 11 | 532 40 65-58 | Spring, Return | 31 | 532 40 48-45 | Seal, Friction |
| 13 | 532 41 92-13 | Gear Case Assembly, Complete | 32 | 581 68 51-01 | Wheel & Tire Assembly, Rear |
| 14 | 532 40 57-03 | Pulley, Drive | 33 | 532 40 91-48 | Nut, Hex, Flangelock 3/8-16 |
| 15 | 532 08 83-48 | Washer, Flat | 34 | 532 85 12-26 | Washer |
| 16 | 532 40 71-47 | Rod, Connecting | 35 | 532 41 09-22 | Shaft Assembly, Rear |
| 17 | 532 40 96-16 | Spring, Extension | 36 | 532 41 09-33 | Shaft Assembly, Front |
| 18 | 532 41 88-66 | Spring Selector | 37 | 532 16 14-63 | Retainer, Front Shaft |
| 19 | 532 19 00-69 | Knob, Selector Spring | 38 | 532 16 34-09 | Screw #12 x 5/8 |
| 20 | 812 00 00-22 | E-Ring | 39 | 532 40 70-59 | Bolt, Shoulder, Semi-Gimlet Point |
| 21 | 532 40 48-38 | Bearing Assembly | 40 | 532 41 08-31 | Wheel & Tire Assembly, Front 8 x 1-3/4 |
| 23 | 532 16 45-55 | Retainer, Drive Assembly, Stamped | 41 | 532 40 48-35 | Pinion |
| 24 | 817 06 04-10 | Screw, Tapping, Hex Head 1/4-20 x 3/4 | 42 | 532 19 74-80 | O-Ring |
| 25 | 532 43 26-72 | Drive Cover Assembly (Includes Mounting Screw and Pushnut) | 44 | 580 36 46-04 | V-Belt |
| | | | 47 | 532 06 77-25 | Washer 1/2 x 1-1/2 x .134 |
| | | | 50 | 532 41 37-22 | Belt Keeper |

5

NOTE: All component dimensions given in U.S. inches. 1 inch = 25.4 mm. **IMPORTANT:** Use only Original Equipment Manufacturer (O.E.M.) replacement parts. Failure to do so could be hazardous, damage your lawn mower and void your warranty.