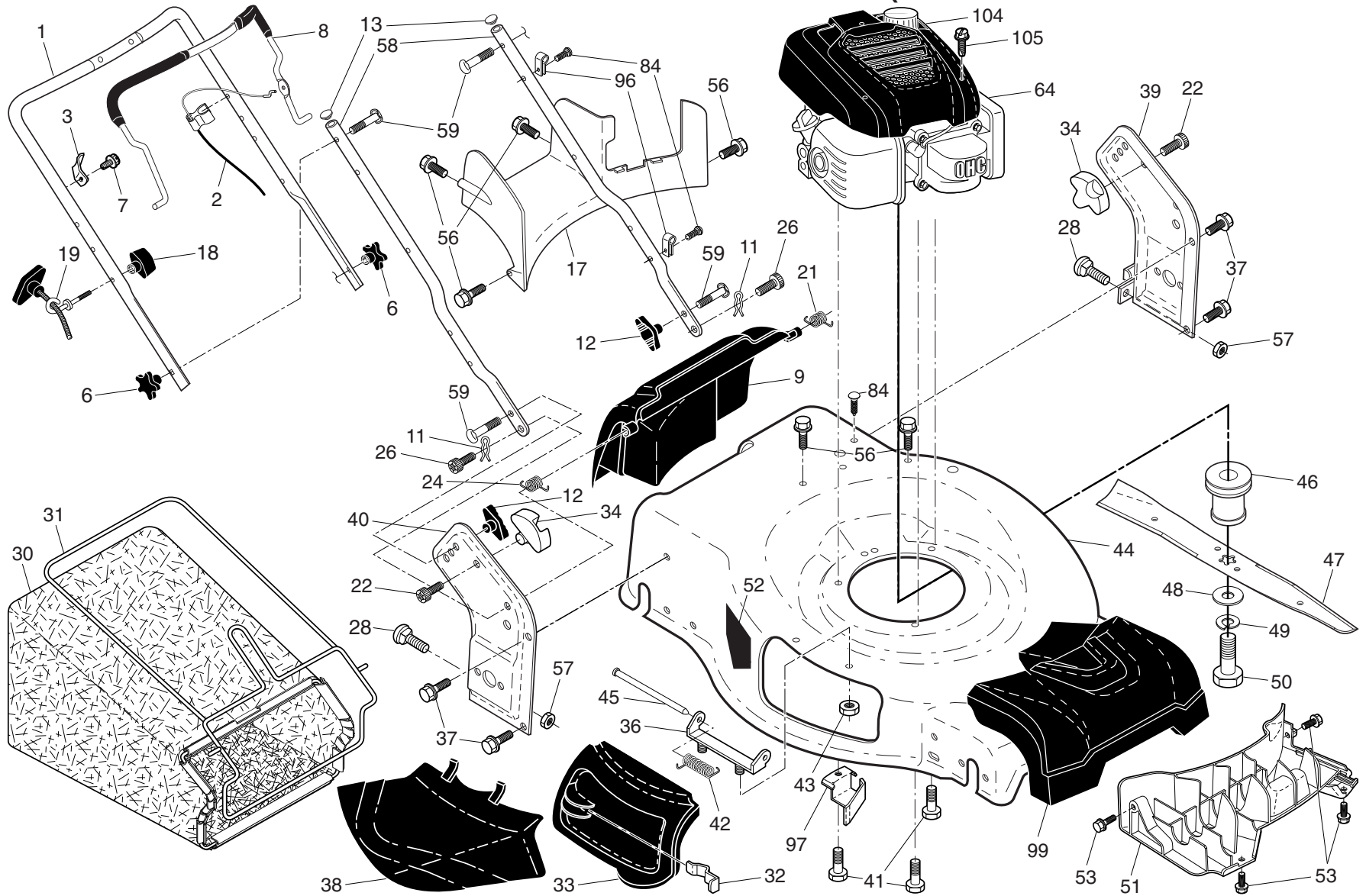


ILLUSTRATED PARTS LIST

MODEL NUMBER LC 356V

MFG. ID. NUMBER 96141029102

HUSQVARNA LAWN MOWER - MODEL NUMBER LC 356V (MFG. ID. NUMBER 96141029102)

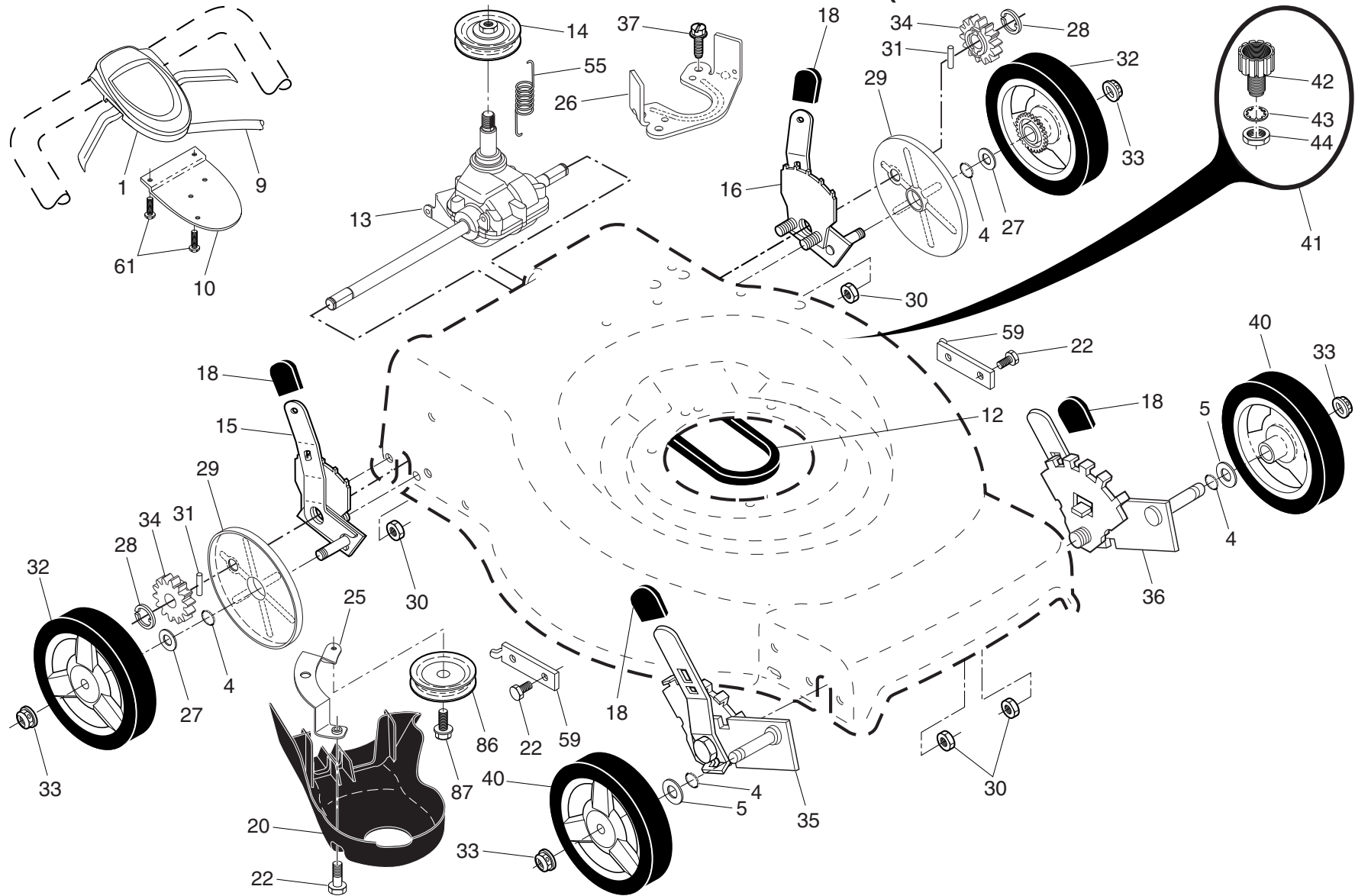


HUSQVARNA LAWN MOWER - MODEL NUMBER LC 356V (MFG. ID. NUMBER 96141029102)

KEY NO.	PART NO.	DESCRIPTION	KEY NO.	PART NO.	DESCRIPTION	KEY NO.	PART NO.	DESCRIPTION
1	585 85 48-06	Upper Handle Assembly	34	532 43 81-34	Pivot Bracket	57	532 15 53-77	Nut, Hex
2	532 42 74-97	Cable, Engine Zone Control	36	532 17 57-35	Hinge Bracket Assembly	58	585 90 82-03	Lower Handle
3	532 43 00-34	Bracket, Upstop	37	817 00 05-10	Screw, Hex Head 1/4-20	59	532 19 15-74	Handle Bolt
6	532 18 23-98	Handle Knob, Star	38	532 42 61-29	Discharge Deflector	64	- - -	Engine, Honda, Model No. GCV160-LAOS3DB (Order parts from Honda)
7	532 17 88-48	Screw #10-16 x 5/8	39	585 90 07-03	Handle Bracket, LH			
8	580 84 91-02	Control Bar	40	585 90 08-03	Handle Bracket, RH			
9	532 43 13-91	Rear Door Assembly	41	532 15 04-06	Screw, Dogpoint 3/8-16 x 1-1/8	84	532 42 81-24	Fastener, Push
11	532 42 55-75	Hairpin, Door/Handle Pivot				96	532 19 79-91	Clip, Cable
12	532 19 19-38	Handle Knob, Standard	42	532 19 30-00	Spring, Torsion	97	581 11 53-02	Belt Keeper
13	532 43 75-16	Plug, Lower Handle Bar	43	532 19 17-30	Nut, Hex, Nylock	99	532 43 73-89	Front Shroud Assembly
17	581 78 21-01	Rear Baffle	44	581 70 83-59	Kit, Lawn Mower Housing	104	580 29 00-01	Engine Shroud
18	581 91 26-01	T-Knob	45	532 17 56-50	Rod, Hinge	105	580 76 87-01	Mounting Screw, Engine Shroud
19	581 90 21-01	Rope Guide	46	581 85 15-01	Blade Adapter / Pulley			
21	532 41 99-49	Spring, Rear Door, LH, Black	47	580 24 40-01	Blade, 22"	- -	532 42 38-49	Bag of Parts (Includes Key Numbers 12 and 59)
22	532 14 18-41	Screw, Panhead, Torx #20	48	532 85 10-74	Washer, Hardened	- -	115 62 66-20	Operator's Manual, European
24	532 41 99-48	Spring, Rear Door, RH, Grey	49	532 85 02-63	Washer, Helical	- -	115 62 66-10	Operator's Manual, Scandinavian
26	532 41 99-45	Screw, Rear Door / Handle Pivot	50	532 85 10-84	Screw, Machine, Hex Head 3/8-24 x 1-3/8 Grade 8	- -	115 62 66-50	Operator's Manual, East Bloc
28	586 21 25-01	Bolt, Carriage 5/16-18 x 5/8	51	581 23 89-01	Front Baffle	- -	115 62 66-40	Operator's Manual, Baltic
30	580 94 34-05	Grassbag	52	532 18 21-66	Decal, Danger			
31	585 05 47-02	Frame, Grass Catcher	53	532 43 73-45	Screw			
32	532 44 11-92	Latch, Mulcher Door	56	817 41 13-12	Screw, Hex Washer Head #13 x 3/4			
33	532 41 99-27	Mulcher Door						

NOTE: All component dimensions given in U.S. inches. 1 inch = 25.4 mm. **IMPORTANT:** Use only Original Equipment Manufacturer (O.E.M.) replacement parts. Failure to do so could be hazardous, damage your lawn mower and void your warranty.

HUSQVARNA LAWN MOWER - MODEL NUMBER LC 356V (MFG. ID. NUMBER 96141029102)



HUSQVARNA LAWN MOWER - MODEL NUMBER LC 356V (MFG. ID. NUMBER 96141029102)

KEY NO.	PART NO.	DESCRIPTION	KEY NO.	PART NO.	DESCRIPTION
1	581 95 05-05	Drive Control Assembly (Includes Cable)	29	581 84 04-01	Cover, Dust, Wheel
4	532 19 74-80	O-Ring	30	532 19 17-30	Nut, Hex
5	532 08 83-48	Washer, Flat	31	532 40 48-45	Pawl, Drive
9	581 95 21-01	Cable, Drive	32	581 68 51-01	Wheel & Tire Assembly, Rear
10	532 43 27-90	Mounting Bracket, Drive Control	33	532 40 91-48	Nut, Flangelock 3/8-16
12	580 36 46-04	Belt, Drive	34	532 40 48-35	Pinion
13	581 97 55-03	Gear Case Assembly, Complete	35	532 43 78-72	Kit, Wheel Adjuster, Front, RH
14	532 19 41-28	Pulley, Drive	36	532 43 78-71	Kit, Wheel Adjuster, Front, LH
15	581 49 79-05	Wheel Adjuster, Rear, RH	37	532 16 34-09	Screw, Hi-Lo Thread
16	581 49 79-06	Wheel Adjuster, Rear, LH	40	532 41 08-31	Wheel & Tire Assembly, Front
18	532 70 10-37	Selector Knob	41	532 43 84-89	Kit, Water Washout Assembly
20	580 80 69-01	Debris Shield	42	532 43 49-94	Fitting, Water Washout
22	817 00 05-10	Bolt, Hex Head 5/16-18	43	532 41 55-85	Washer, Lock, Internal Tooth
25	581 31 38-02	Mounting Bracket, Debris Shield	44	532 41 55-86	Locknut, Hex, with O-Ring
26	532 42 60-66	Belt Keeper	55	581 35 13-01	Spring, Return
27	532 06 77-25	Washer	59	532 44 21-13	Support Bracket, Front Axle
28	812 00 00-58	E-Ring 7/16	61	532 18 16-98	Screw
			86	580 36 43-01	Pulley, Idler
			87	581 12 76-01	Screw

NOTE: All component dimensions given in U.S. inches. 1 inch = 25.4 mm. **IMPORTANT:** Use only Original Equipment Manufacturer (O.E.M.) replacement parts. Failure to do so could be hazardous, damage your lawn mower and void your warranty.