

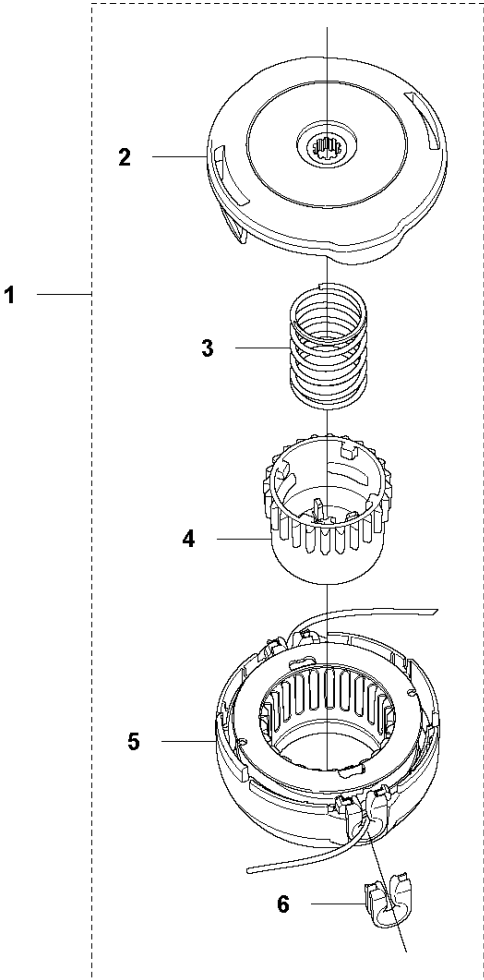


SPARE PARTS LIST

TRIMMERS/EDGERS

136 LiC

F 136 LiC
ACCESSORIES

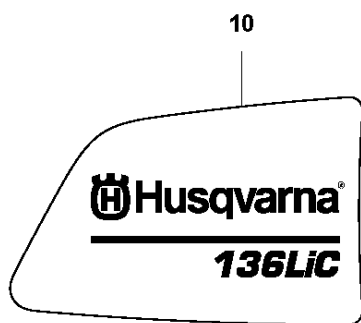
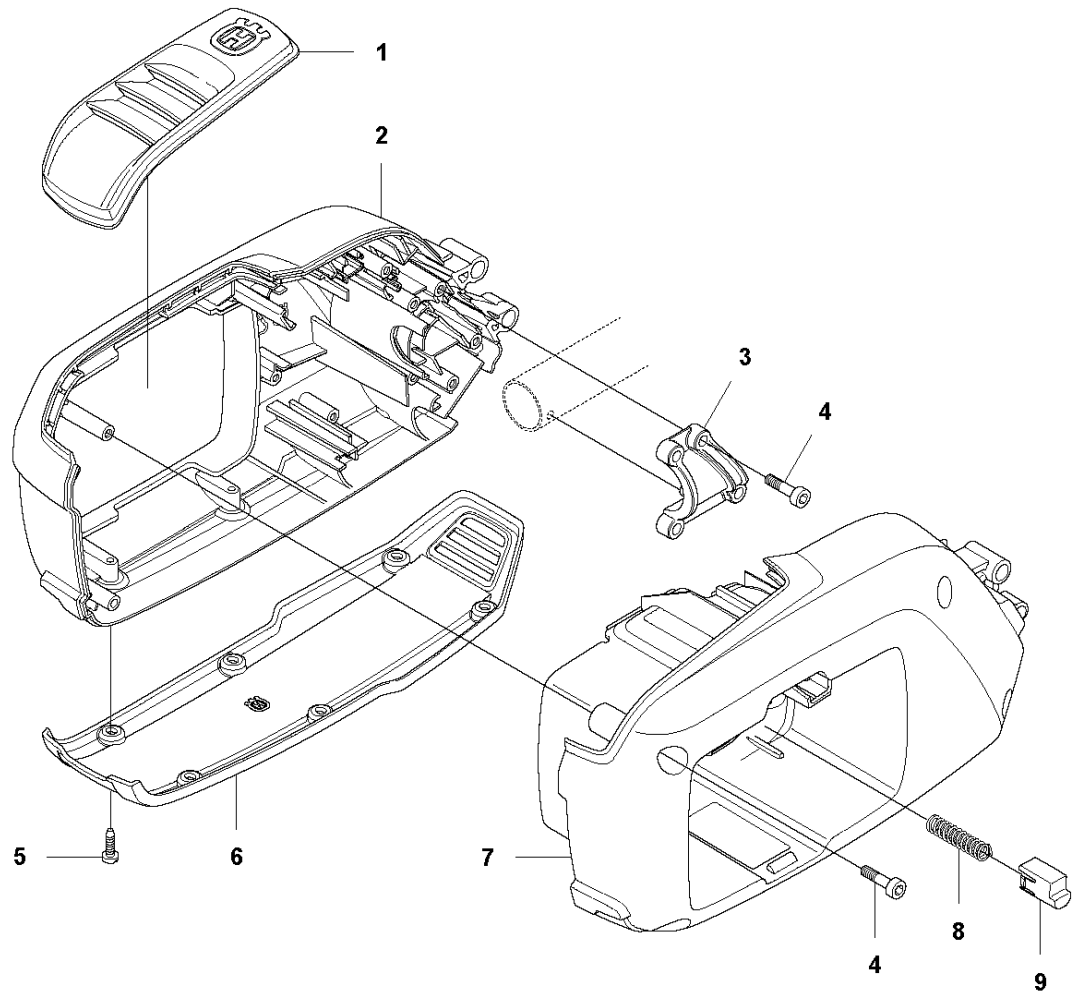


ACCESSORIES

136 LiC

Ref	Part No	Description	Remark	QTY	KIT
1	579 29 40-01	TRIMMER HEAD		1	
2	578 19 68-01	HOUSING ASSY		1	1
3	577 05 03-01	SPRING		1	1
4	577 04 93-01	KNOB		1	1
5	578 19 69-01	COVER		1	1
6	501 33 04-01	GROMMET		2	1

D 136 LiC
BATTERY HOUSING

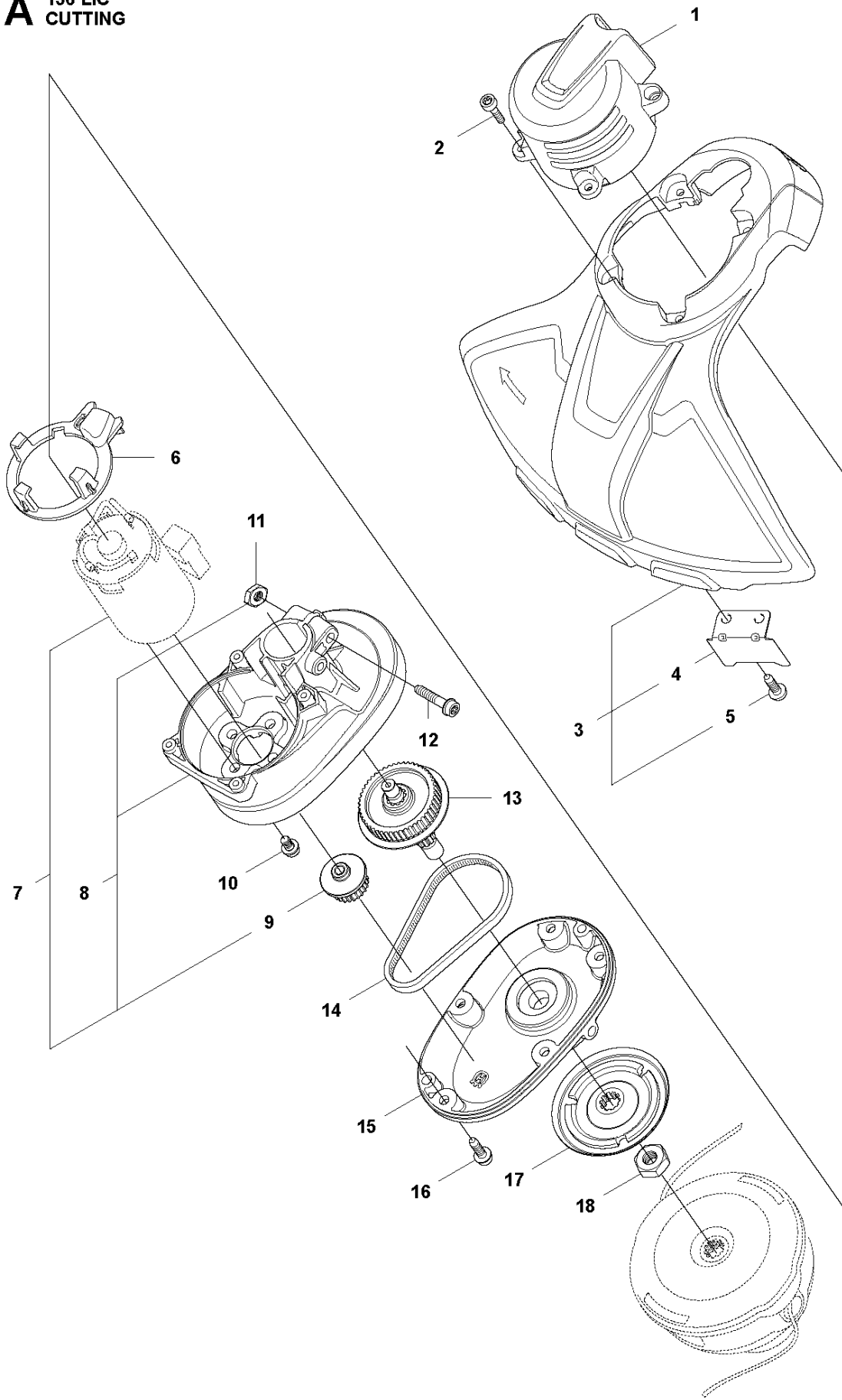


BATTERY HOUSING

136 LiC

Ref	Part No	Description	Remark	QTY KIT
1	577 01 41-01	COVER		1
2	577 00 76-01	HOUSING		1
3	577 02 22-01	CLAMP		1
4	503 21 66-74	SCREW IHSCT		8
5	503 21 28-13	SCREW CCRPANT		6
6	577 01 42-01	SKID PLATE		1
7	577 01 30-01	HOUSING RIGHT		1
8	577 99 65-01	SPRING		1
9	577 99 66-01	PUSH BUTTON		1
10	579 00 62-01	DECAL		1

A 136 LiC
CUTTING

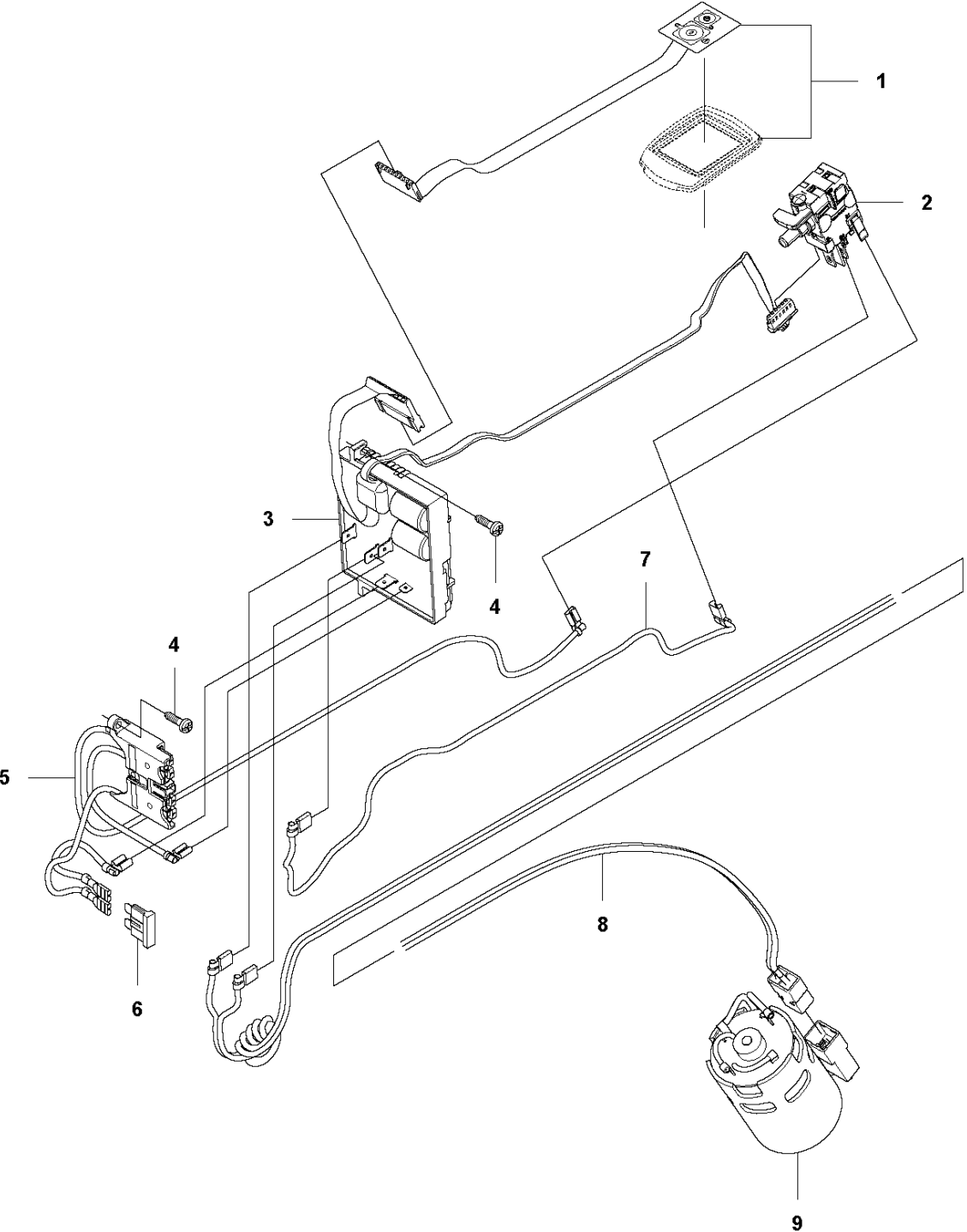


CUTTING EQUIPMENT

136 LiC

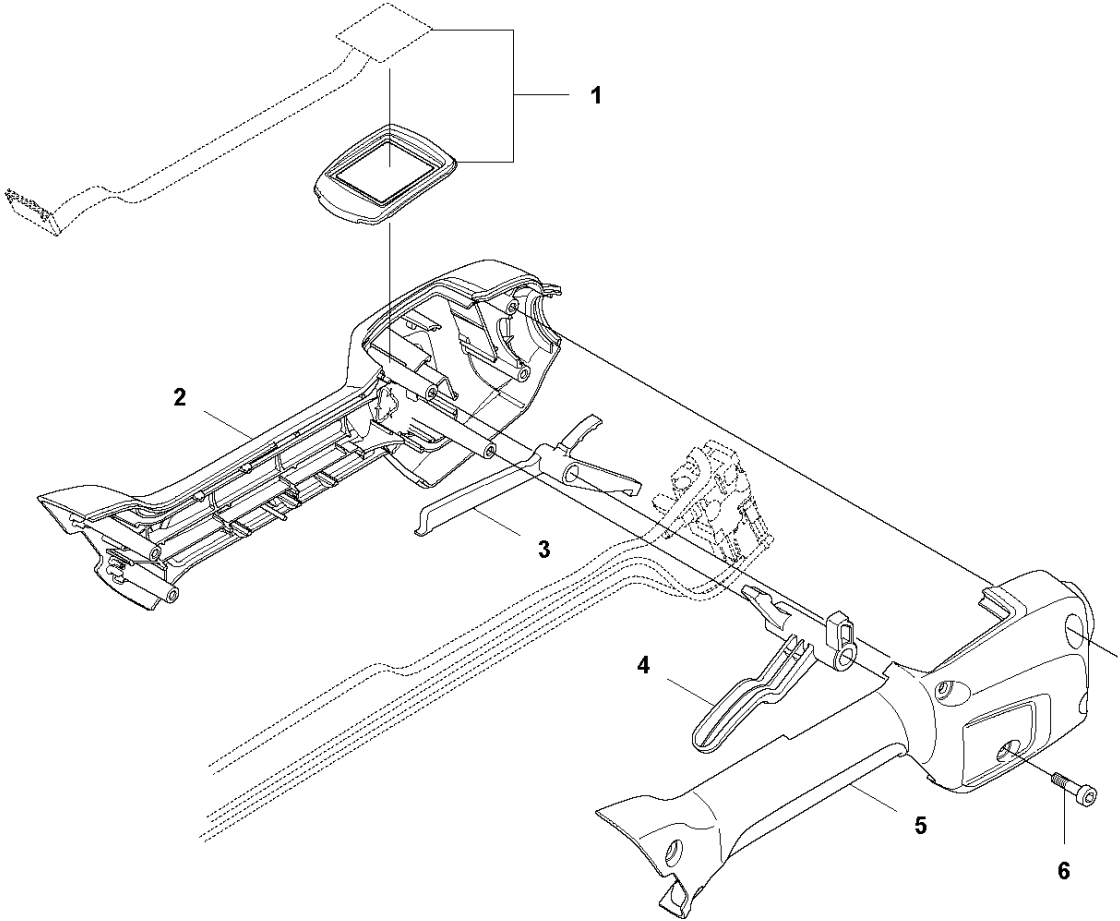
Ref	Part No	Description	Remark	QTY	KIT
1	577 42 62-01	MOTOR COVER		1	
2	503 21 66-74	SCREW IHSCFT		4	
3	577 96 51-01	TRIMMER GUARD		1	
4	574 52 34-01	KNIFE		1	3
5	503 21 07-16	SCREW IHSCFT		2	3
6	577 72 75-01	INSULATION WALL		1	
7	579 70 54-01	MOTOR		1	
8	579 70 55-01	MOTOR HOUSING		1	
9	577 98 94-01	WHEEL		1	7,8
10	503 20 07-02	SCREW IHSCFM		4	
11	731 23 14-01	HEXAGON NUT		1	8
12	503 20 07-82	SCREW IHSCFM		1	
13	577 98 95-01	BLADE SHAFT		1	
14	578 07 02-01	BELT		1	
15	577 42 60-01	COVER		1	
16	503 21 68-16	SCREW IHSCFT		5	
17	577 01 90-01	DRIVER ASSY		1	
18	578 78 93-01	NUT		1	

E 136 LiC
ELECTRIC



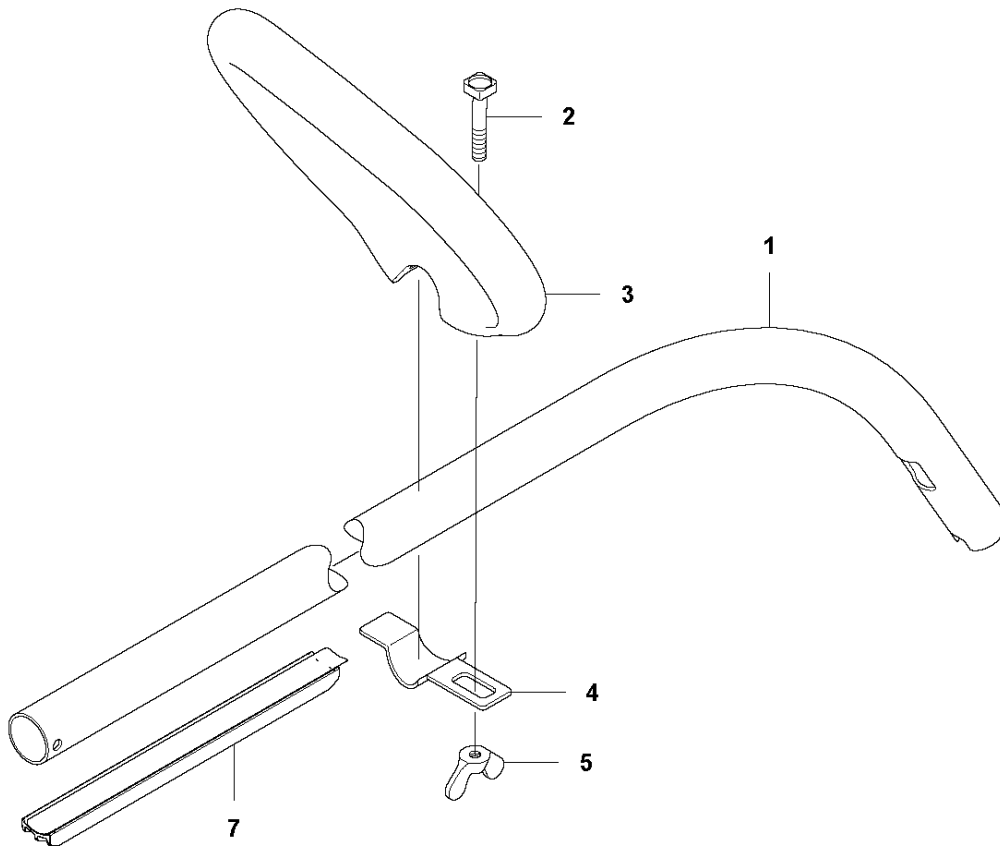
Ref	Part No	Description	Remark	QTY KIT
1	579 70 56-01	KEY PAD		1
2	578 32 69-01	TRIGGER SWITCH		1
3	578 10 45-01	DC-MOTOR CONTROLLER ASSY		1
4	503 21 28-13	SCREW CCRPANT		4
5	578 36 78-01	WIRING ASSY		1
6	579 31 68-01	FUSE		1
7	577 40 59-01	WIRING ASSY		1
8	578 11 46-01	WIRING ASSY		1
9	579 70 54-01	MOTOR		1

C 136 LiC
HANDLE



Ref	Part No	Description	Remark	QTY KIT
1	579 70 56-01	KEY PAD		1
2	577 01 31-01	HANDLE HALF LEFT		1
3	577 51 23-01	THROTTLE LOCKOUT		1
4	577 01 81-01	TRIGGER		1
5	577 01 32-01	HANDLE HALF RIGHT		1
6	503 21 66-74	SCREW IH SCT		6

B 136 LiC
TUBE



ON1485
EUROPE 93_B

6

9

Australia NSW
67
NOISE dBA

8

WARNING: To reduce the risk of injury to persons, do not operate without guards in place. Risk of eye injury. Use safety glasses or similar eye protection. To reduce risk of injury to persons, remove battery pack when not in use. To reduce the risk of electric shock, do not expose to water. Use only Husqvarna Battery type BL. Use only 2.0 mm diameter plastic trimmer line.

AVERTISSEMENT: Afin de réduire les risques de blessure, ne pas faire fonctionner sans que les guides de sécurité ne soient pas en place. Risque de blessure. Utilisez des lunettes de protection ou tout autre équipement de protection des yeux. Afin de réduire les risques de blessure, retirez le batterie lorsque la machine n'est pas utilisée. Afin de réduire les risques de choc électrique, ne pas utiliser sur des surfaces mouillées. Utilisez uniquement des batteries Husqvarna de type BL. Utilisez uniquement des fils de taille plastique de 2,0 mm de diamètre.

ADVERTENCIA: Para reducir el riesgo de producir daños a personas, no opere la unidad si los protectores no están en su lugar. Riesgo de daño ocular. Utilice gafas de seguridad o protección ocular similar. Para reducir el riesgo de producir chocs a personas, quite el conjunto de batería cuando la unidad no se encuentre en uso. Para reducir el riesgo de sufrir una descarga eléctrica, no exponga la unidad al agua. Utilice únicamente baterías Husqvarna tipo BL. Utilice únicamente líneas plásticas de espesura de 2,0 mm de diámetro.

Ref	Part No	Description	Remark	QTY KIT
1	577 80 40-01	TUBE		1
2	503 21 98-35	SCREW		1
3	537 07 68-01	HANDLE		1
4	537 04 25-01	ATTACHMENT PLATE		1
5	503 22 26-01	NUT		1
6	579 00 88-01	DECAL		1
7	581 07 85-01	SPACER		1
8	579 00 91-02	DECAL	US ONLY	1
9	501 97 16-03	LABEL		1

Illustrated Parts List - IPL Update



Product Name(s)

136LiC

Description of change

IPL updates

Comments

Introduced from

Serial number / Date	Remark

IPL updates

Page Title	Ref. no	New part no	Name	Excl. part no.	Remark
B Tube 136LiC	1	577 80 40-01	Tube	579 63 78-01	
B Tube 136LiC	7	581 07 85-01	Spacer		New pos no.
B Tube 136LiC	8	579 00 91-02	Decal		New pos no.
B Tube 136LiC	9	501 97 16-03	Label		New pos no.
F Accessories 136LiC	1, 8,9, 10				Pos no deleted. Pos no re-arranged