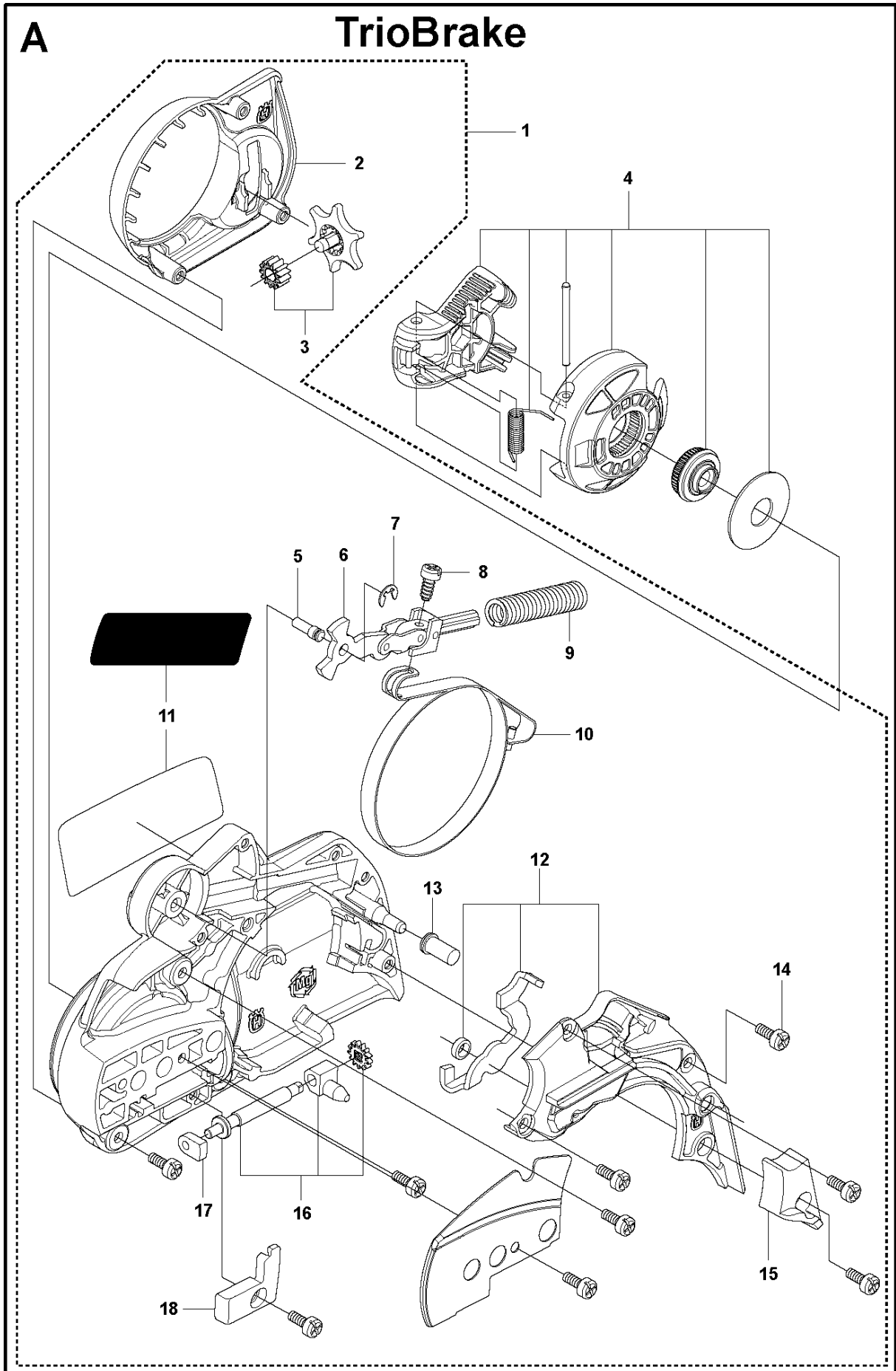




SPARE PARTS LIST

CHAIN SAWS

445 E TRIOBRAKE



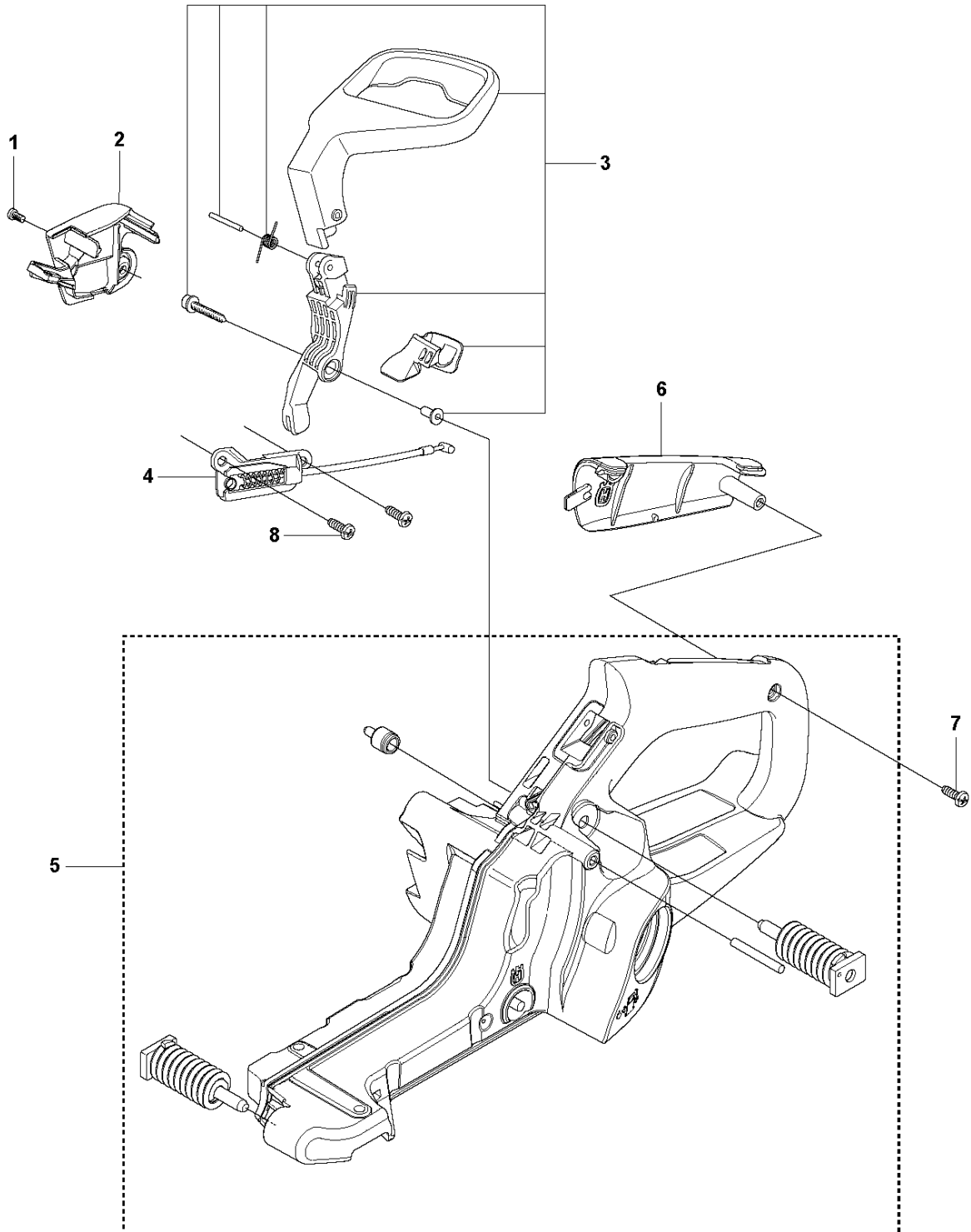
CHAIN BRAKE & CLUTCH COVER

445 E TRIBRAKE

Ref	Part no.	Description	Remark	Qty	Kit
1	505 32 42-01	CLUTCH COVER ASSY		1	
2	537 39 26-01	HEAT PROTECTOR		1	1
3	537 34 72-01	CHAIN TENSIONER WHEEL		1	1
4	537 34 78-01	KNOB		1	
5	503 89 29-01	PIN KNEE-JOINT		1	1
6	503 89 08-02	KNEE JOINT ASSY		1	1
7	735 31 08-20	E-CLIP		1	1
8	503 21 70-10	SCREW CCRPANT		1	1
9	503 46 59-01	BRAKE SPRING		1	1
10	537 04 30-01	BRAKE BAND ASSY		1	1
11	544 35 75-01	LABEL		1	1
12	502 30 61-01	COVER LID ASSY		1	1
13	503 85 52-01	GUIDE BUSHING		1	1
14	503 21 70-10	SCREW CCRPANT		9	1
15	544 08 30-01	WEAR PROTECTION		1	1
16	537 39 29-01	CHAIN TENSION SCREW		1	1
17	544 84 55-01	BEARING SLEEVE		1	1
18	504 54 28-01	COVER LID		1	1

B

TrioBrake



FUEL TANK & HANDLE

445 E TRIOBRAKE

Ref	Part no.	Description	Remark	Qty	Kit
1	503 21 70-72	SCREW CCRPANT		1	
2	504 10 62-01	COVER LID		1	
3	510 06 87-01	HAND GUARD		1	
4	505 52 96-01	WIRE ASSY		1	
5	504 10 60-01	FUEL TANK ASSY		1	
6	504 10 63-01	HANDLE INSERT		1	
7	503 21 28-10	SCREW CCRPANT		1	
8	503 21 70-72	SCREW CCRPANT		2	

Illustrated Parts List - IPL Update



Product Name(s)

H455e Rancher II Triobrake, 455e Rancher Triobrake, 445e Triobrake

Description of change

Brake band changed to standard variant

	Serial number / Date	Product
Introduced from	20134700001	H455e Rancher II TB
	20134700001	455e Rancher TB
	20134700001	445e Triobrake

Page Title	Ref. no	New part no	Name	Action	Excl. part no.	Remark
Clutch cover	10	537 04 30-01	Brake band assy	Replace	537 04 30-02	
					
					
					

Comments