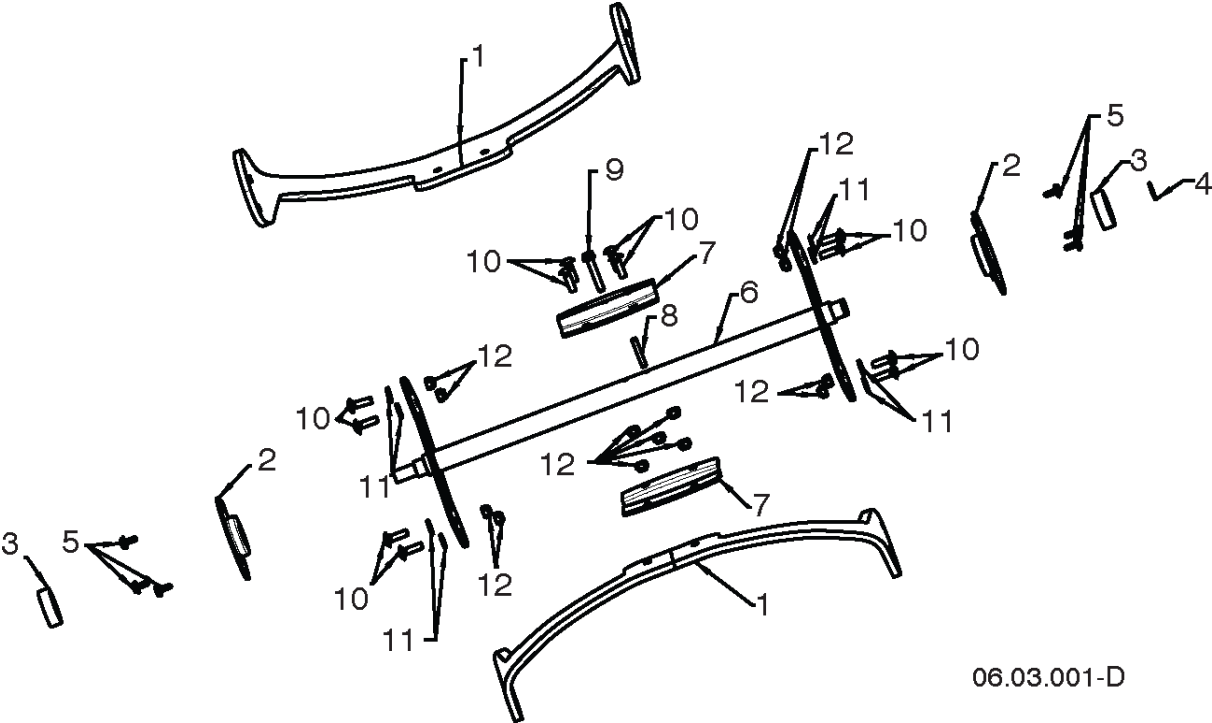




SPARE PARTS LIST

SNOW BLOWERS/THROWERS

ST131,96181001300, 2014-07

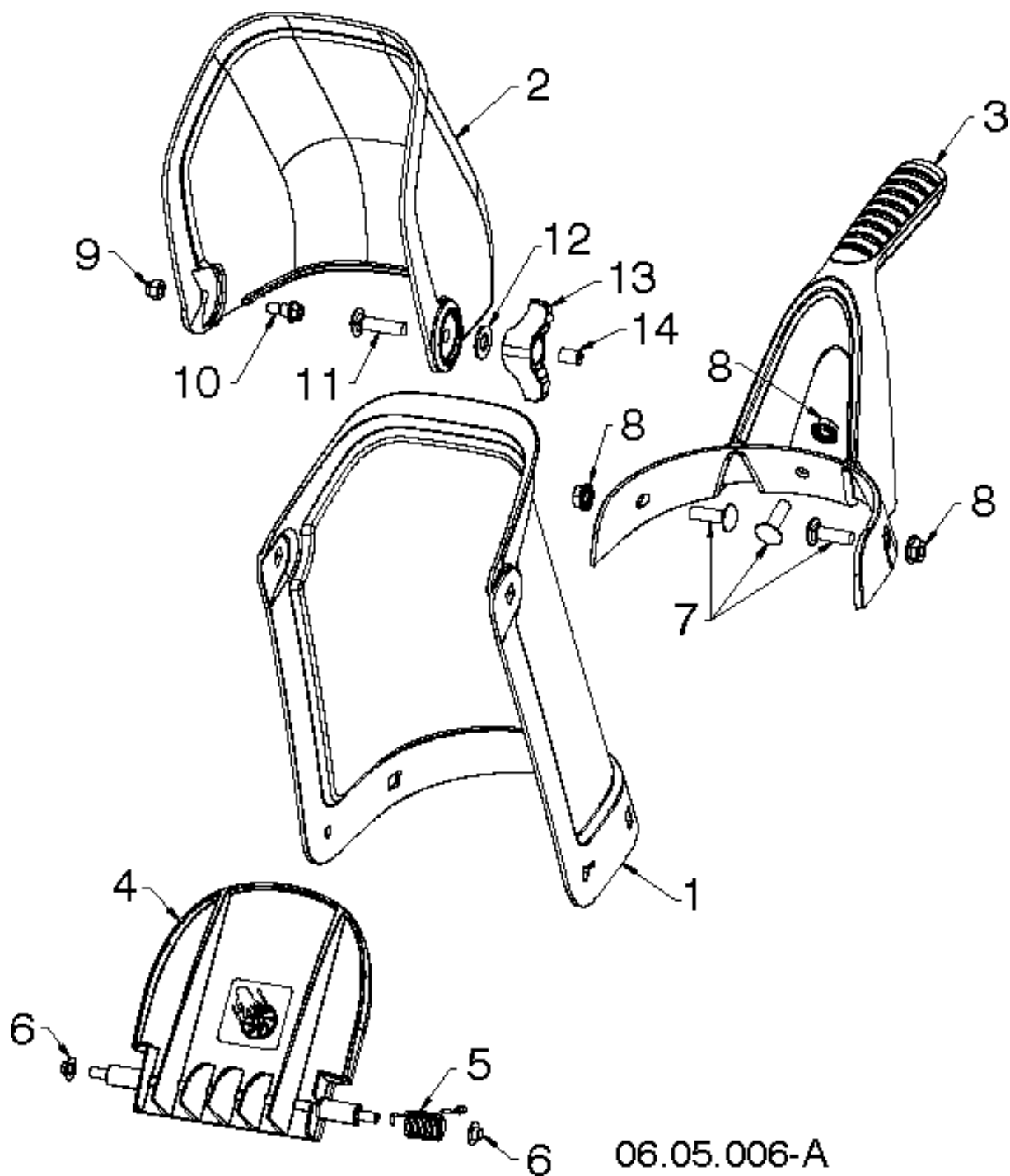


06.03.001-D

AUGER HOUSING & IMPELLER

ST131,96181001300, 2014-07

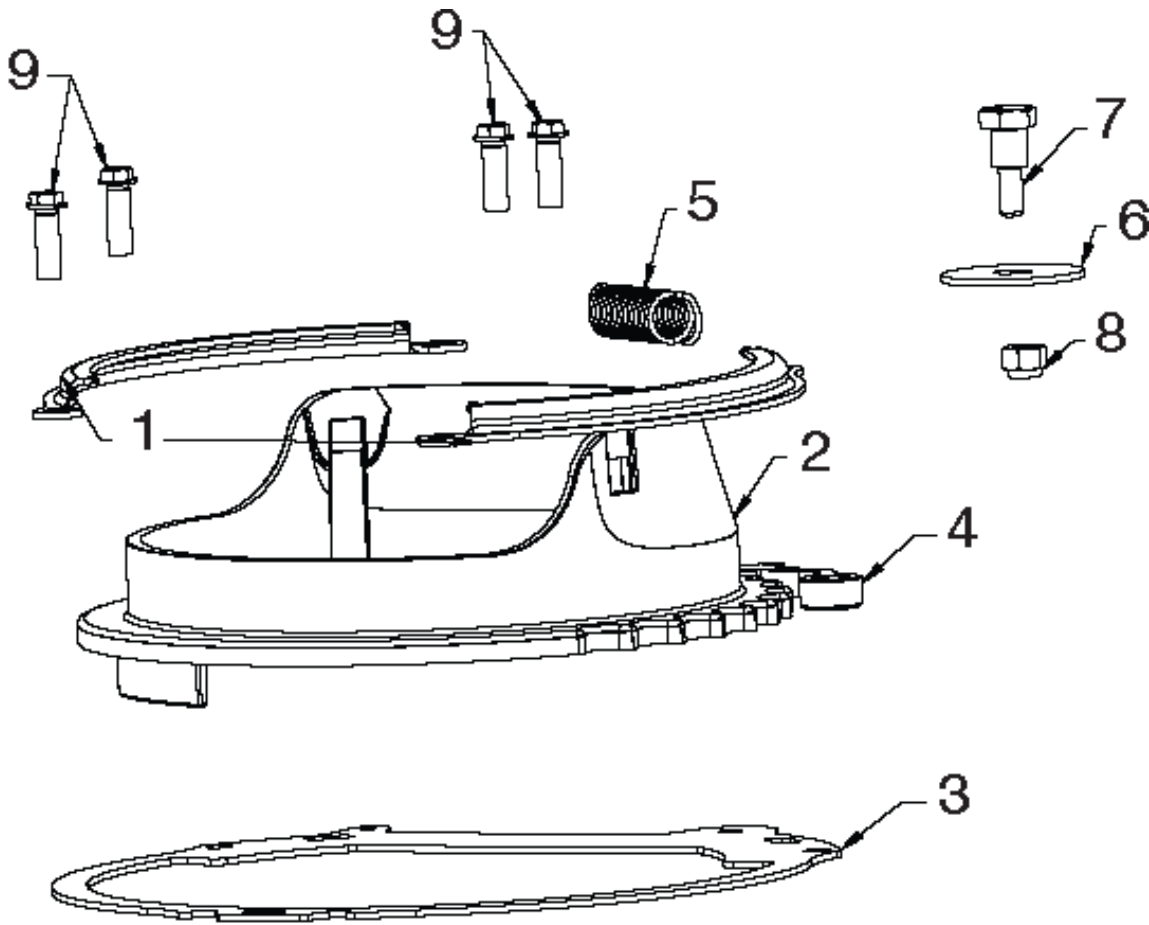
Ref	Part No	Description	Remark	QTY KIT
1	532 44 27-59	BLADE		1
2	580 85 55-01	BEARING SUPPORT		1
3	532 43 76-22	BEARING		1
4	812 00 00-28	CLIP		1
5	817 06 04-08	SCREW		1
6	532 43 76-17	AUGER		1
7	580 85 54-01	PLATE		1
8	532 43 76-20	ROLL PIN		1
9	532 19 96-87	SCREW		1
10	872 11 04-07	BOLT		1
11	819 09 10-16	WASHER		1
12	532 13 20-04	NUT		1



CONTROL PANEL & DISCHARGE CHUTE

ST131,96181001300, 2014-07

Ref	Part No	Description	Remark	QTY KIT
1	532 44 41-51	CHUTE		1
2	532 44 34-31	DEFLECTOR		1
3	587 41 21-01	HANDLE		1
4	532 44 41-40	GUARD		1
5	532 43 66-22	SPRING		1
6	532 44 22-51	NUT		1
7	532 43 73-18	BOLT		1
8	873 97 05-00	NUT		1
9	532 13 20-04	NUT		1
10	532 44 46-82	BOLT		1
11	872 11 05-10	BOLT		1
12	819 13 13-16	WASHER		1
13	532 19 19-38	KNOB		1
14	532 14 00-62	HUB CAP		1

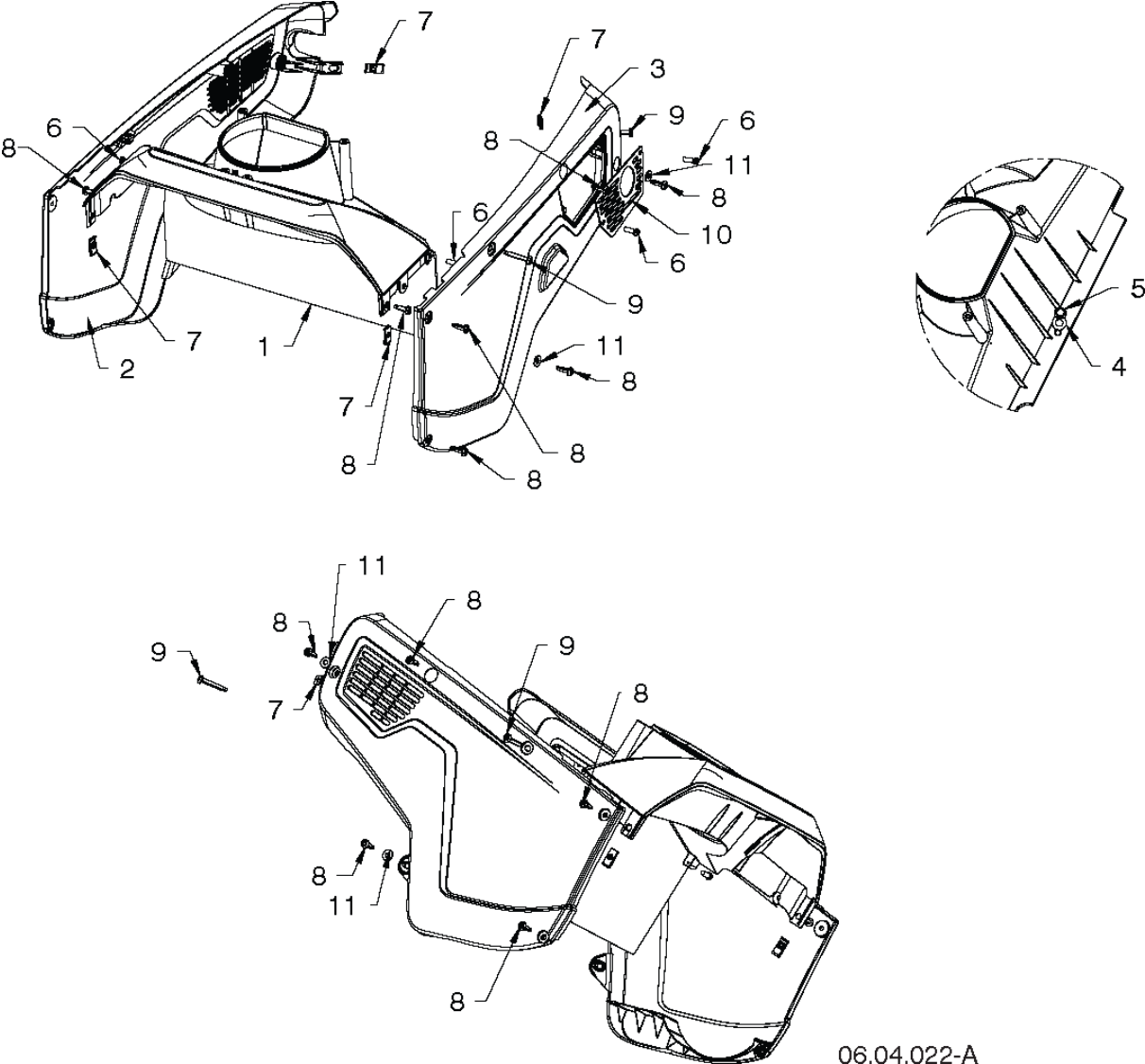


06.04.009-A

CONTROL PANEL & DISCHARGE CHUTE

ST131,96181001300, 2014-07

Ref	Part No	Description	Remark	QTY KIT
1	580 85 65-01	PLATE		1
2	587 23 81-01	CHUTE		1
3	580 85 56-01	PLATE		1
4	532 43 48-78	ARM		1
5	532 43 48-79	SPRING		1
6	819 13 24-16	WASHER		1
7	532 08 13-28	BOLT		1
8	532 13 20-04	NUT		1
9	817 41 13-12	SCREW		1

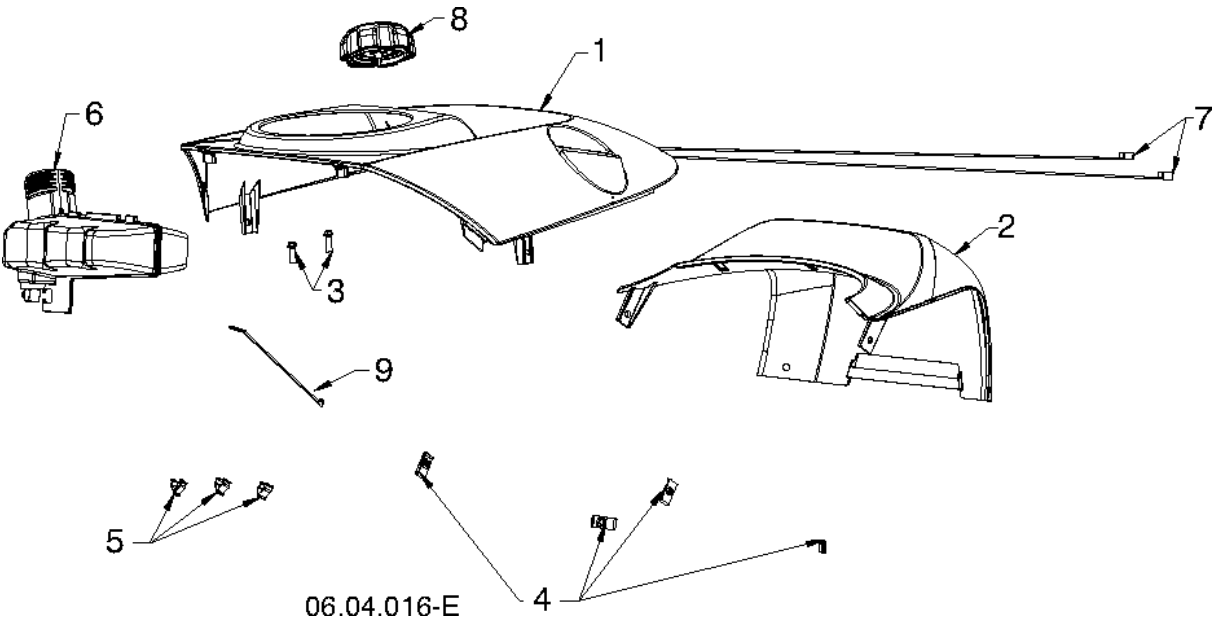


06.04.022-A

COVER

ST131,96181001300, 2014-07

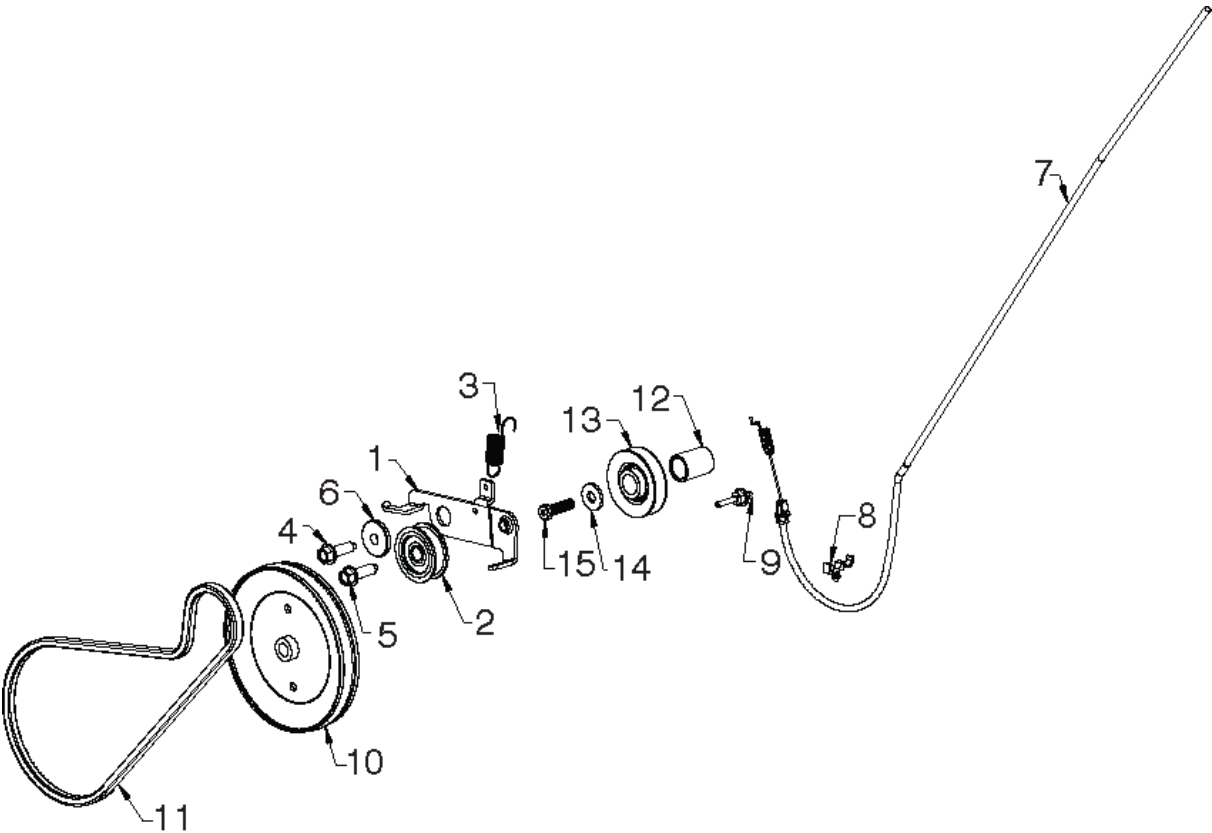
Ref	Part No	Description	Remark	QTY KIT
1	532 44 34-25	AUGER		1
2	584 98 99-04	COVER	NON-DRIVE SIDE	1
3	584 99 00-04	COVER	DRIVE SIDE	1
4	819 13 13-16	WASHER		1
5	532 42 88-67	BOLT		1
6	817 41 13-12	SCREW		1
7	532 19 66-88	NUT		1
8	532 44 22-50	FASTENER		1
9	532 44 42-62	SCREW		1
10	580 83 35-01	PLATE		1
11	819 09 10-16	WASHER		1



COVER

ST131,96181001300, 2014-07

Ref	Part No	Description	Remark	QTY KIT
1	532 44 41-33	COVER	TOP	1
2	532 44 41-37	COVER	REAR UPPER	1
3	817 41 13-12	SCREW		1
4	532 19 66-88	NUT		1
5	532 43 48-68	CLIP		1
6	580 98 26-01	TANK ASSY		1
7	532 14 68-48	TIE WRAP		1
8	581 07 55-01	CAP		1
9	532 44 46-49	CABLE GROMMET		1



06.01.001-B

DRIVE

ST131,96181001300, 2014-07

Ref	Part No	Description	Remark	QTY KIT
1	580 85 53-01	ARM		1
2	532 16 60-43	PULLEY		1
3	532 43 48-59	SPRING		1
4	817 06 06-20	SCREW	TORQUE 13-18 FT-LBS	1
5	817 06 06-20	SCREW	TORQUE 22-27 FT-LBS	1
6	532 19 90-92	SPACER		1
7	532 44 30-18	CLUTCH		1
8	532 14 50-06	CLIP		1
9	532 43 45-02	HOLDER		1
10	532 43 53-83	PULLEY		1
11	532 43 72-61	BELT		1
12	532 43 48-60	SPACER		1
13	532 42 64-90	PULLEY		1
14	532 85 10-74	WASHER		1
15	532 43 08-17	BOLT		1

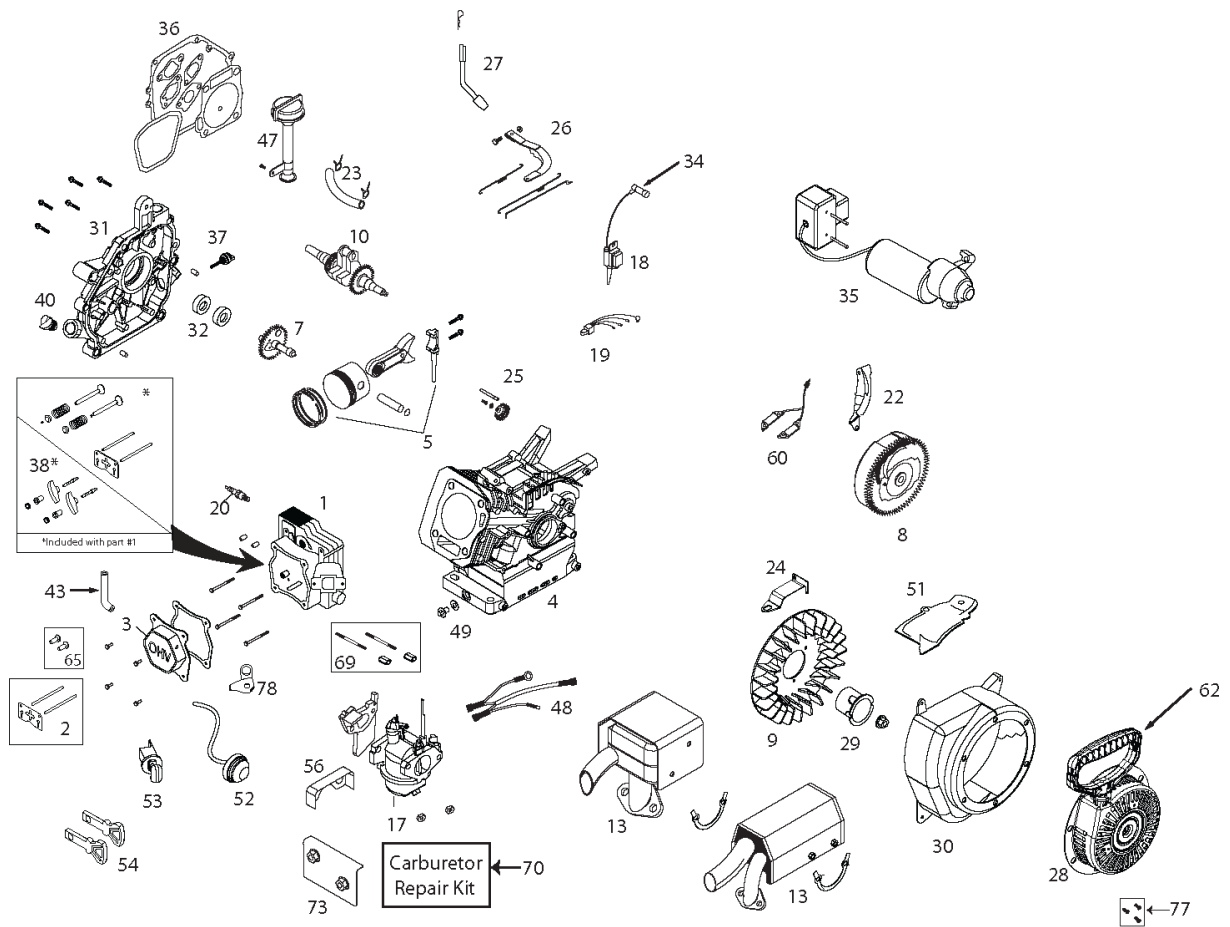
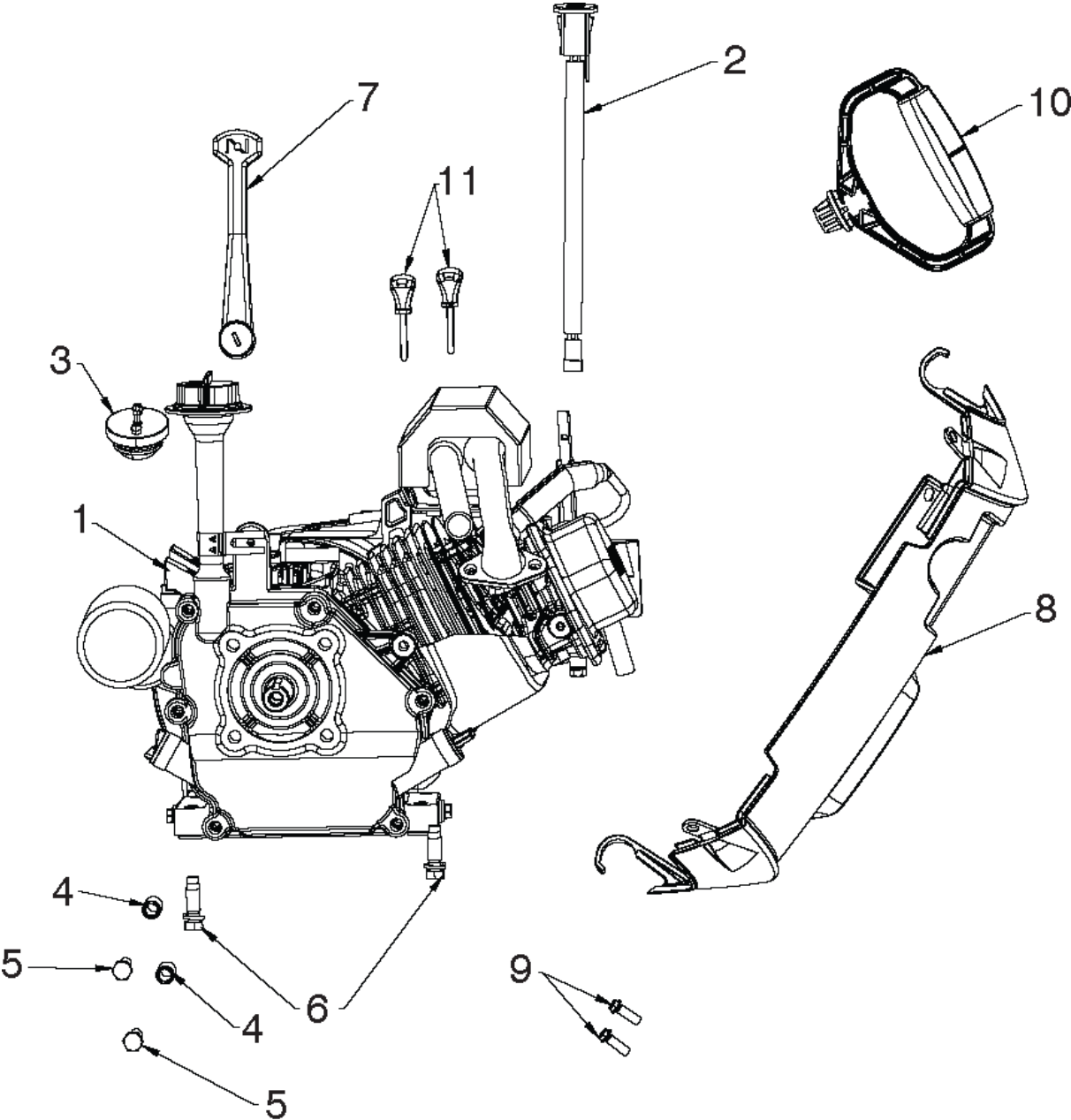


ILLUSTRATION FOR REFERENCE PURPOSES ONLY

ENGINE

ST131,96181001300, 2014-07

Ref	Part No	Description	Remark	QTY KIT
1	532 43 80-06	HEAD		1
2	532 43 80-11	KIT		1
3	580 94 15-01	VALVE		1
4	532 43 80-12	CYLINDER ASSY		1
5	532 43 80-07	PISTON ROD		1
7	532 43 80-05	CAMSHAFT		1
8	532 43 79-99	FLYWHEEL ASSY		1
9	532 43 80-01	FAN		1
10	532 43 80-09	CRANKSHAFT		1
13	532 43 79-89	MUFFLER ASSY		1
17	532 43 79-90	CARBURETOR		1
18	580 94 13-01	IGNITION COIL		1
20	532 42 49-39	SPARK PLUG F7RTC		1
22	532 43 79-96	SHIELD		1
23	532 43 80-14	HOSE KIT		1
24	532 42 92-59	SPEED CONTROL BRACKET		1
25	532 42 96-46	GEAR		1
26	532 43 80-03	ARM		1
27	532 43 80-04	SHAFT		1
28	532 43 69-67	RECOIL		1
29	532 43 79-91	CUP		1
30	532 43 79-93	BLOWER HOUSING ASSY		1
31	580 94 12-01	CRANKCASE	THREADED OIL-FILL TUBE	1
31	581 36 35-01	COVER	PRESS-IN OIL-FILL TUBE (SERIAL # >1240H0519257)	1
32	532 43 80-08	KIT		1
34	532 43 69-66	BOOT		1
36	532 43 80-13	KIT		1
37	532 42 09-61	DIPSTICK(SK2083711)		1
38	532 43 80-10	KIT		1
40	532 42 95-98	NON REMOVABLE PLUG		1
43	580 35 34-01	BREATHER		1
47	532 44 40-91	TUBE	THREADED OIL-FILL TUBE	1
47	581 00 72-01	TUBE ASSY	PRESS-IN OIL-FILL TUBE (SERIAL # >1240H0519257)	1
48	580 94 14-01	WIRING HARNESS		1
49	532 43 54-95	OIL PLUG		1
51	580 94 11-01	CYLINDER COVER		1
52	532 43 71-23	BULB		1
53	532 42 49-54	KEY START ASSY		1
54	532 44 30-59	KIT		1
56	532 42 92-60	VAPOR SHIELD		1
62	532 42 49-68	SNOW STARTER CHIP		1
69	532 42 49-51	CARB STUDS AND COUPLINGS KIT		1
70	580 35 36-01	CARBURETTOR		1
73	532 44 42-75	SHIELD		1
77	532 43 26-88	BOLT KIT		1

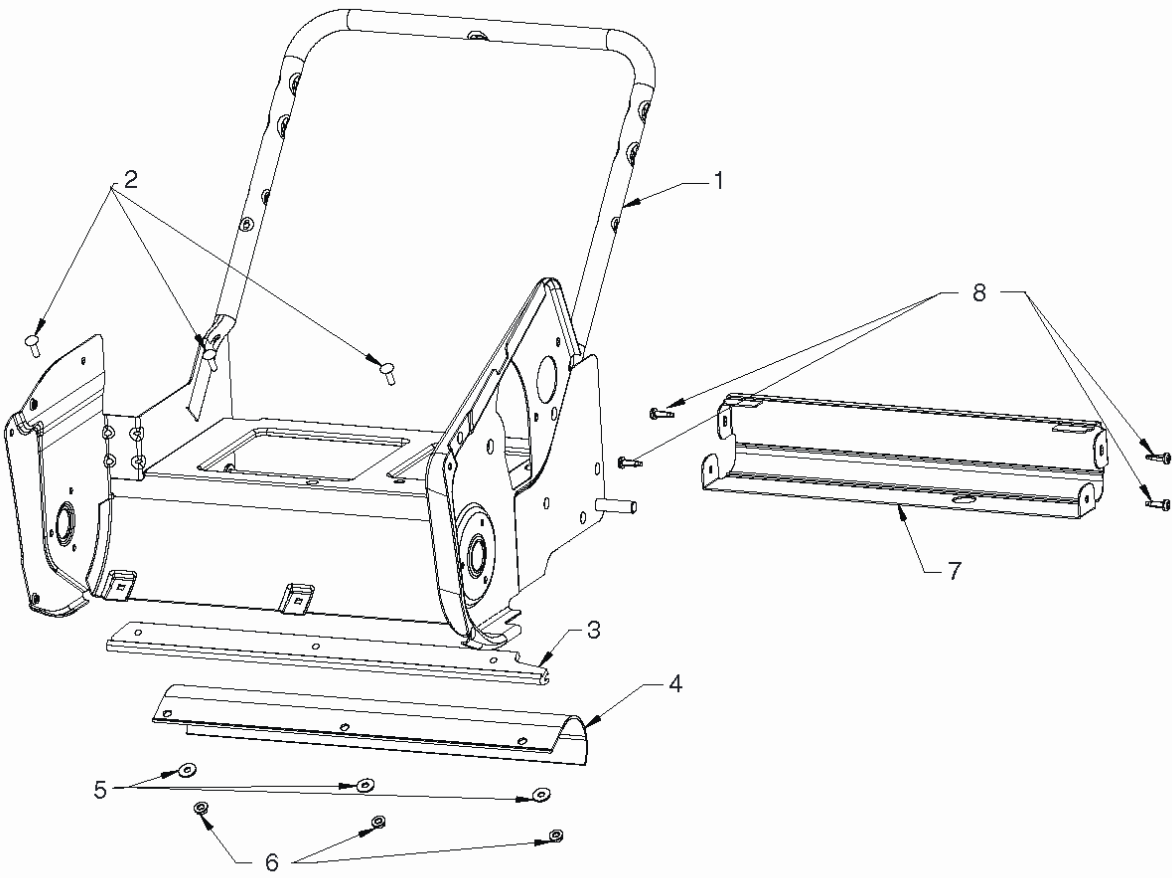


06.02.020-A

ENGINE

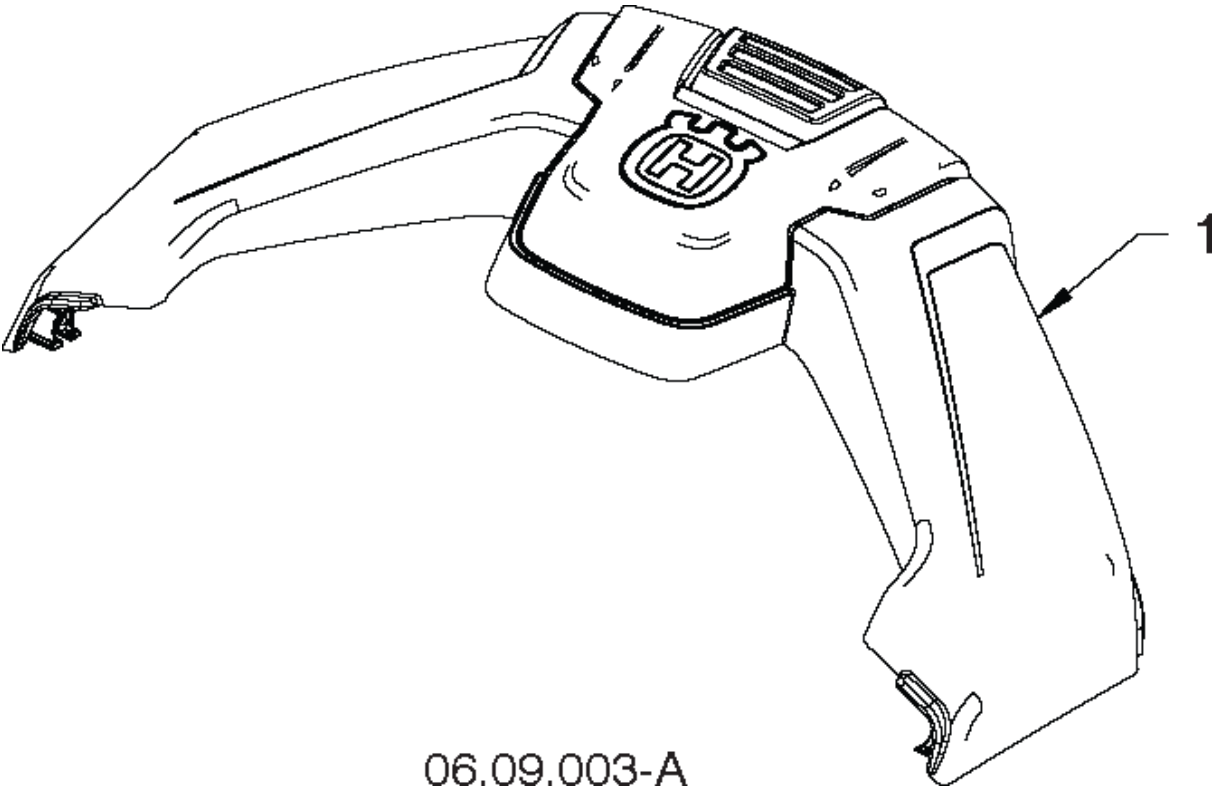
ST131,96181001300, 2014-07

Ref	Part No	Description	Remark	QTY KIT
1	580 81 10-01	ENGINE		1
2	580 85 02-01	SWITCH		1
3	532 43 62-35	PRIMER		1
4	532 43 48-57	SPACER		1
5	532 43 55-78	SCREW		1
6	532 15 04-06	BOLT		1
7	532 43 48-74	LEVER		1
8	532 44 34-24	COVER		1
9	817 41 13-12	SCREW		1
10	532 44 38-99	STARTER HANDLE		1
11	532 44 30-59	KIT		1



06.00.002-A

Ref	Part No	Description	Remark	QTY KIT
1	532 44 47-23	FRAME		1
2	872 11 04-07	BOLT		1
3	580 50 26-01	SCRAPER		1
4	532 44 21-46	SCRAPER		1
5	819 09 12-16	WASHER		1
6	532 19 17-30	NUT		1
7	532 44 34-23	SUPPORT		1
8	532 44 22-50	FASTENER		1

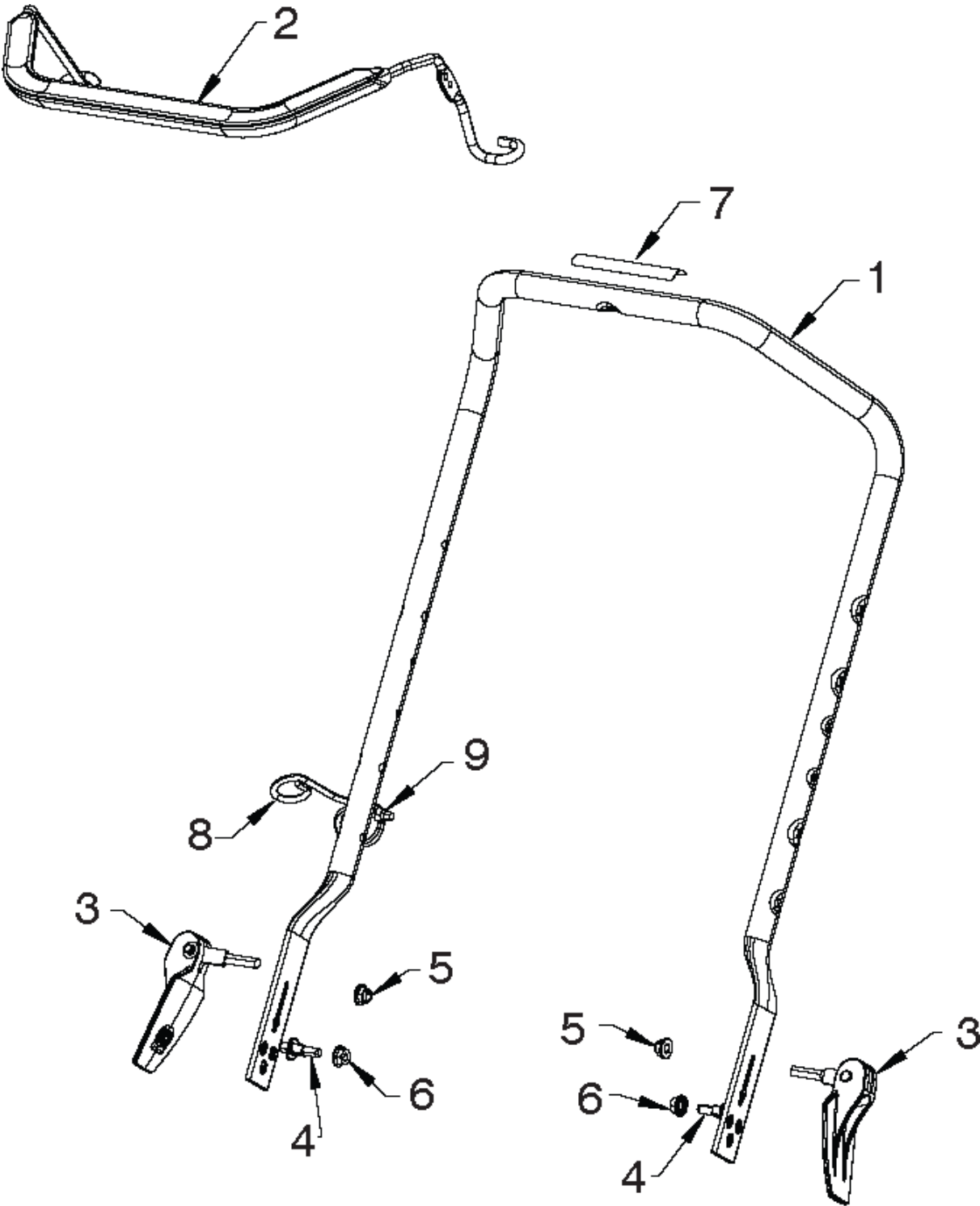


06.09.003-A

HANDLE

ST131,96181001300, 2014-07

Ref	Part No	Description	Remark	QTY KIT
1	586 51 75-01	COVER		1

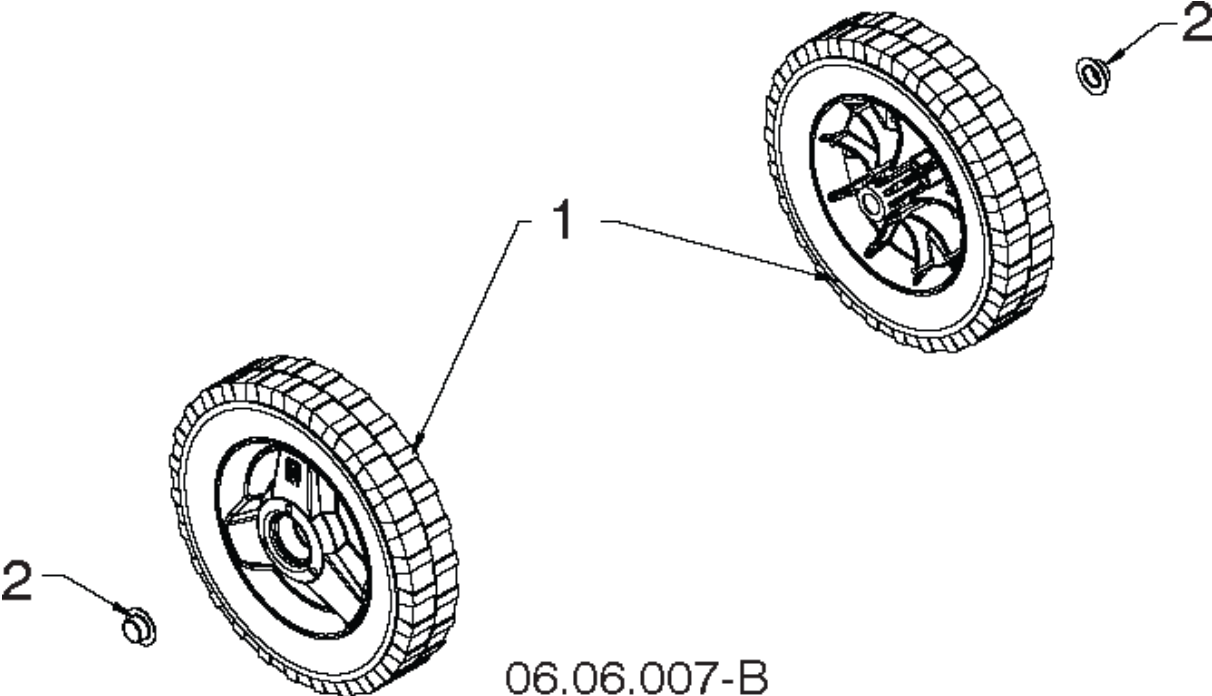


06.07.006-A

HANDLE

ST131,96181001300, 2014-07

Ref	Part No	Description	Remark	QTY KIT
1	532 44 34-32	HANDLE		1
2	532 44 34-33	BAIL		1
3	532 44 30-21	ADJUSTER		1
4	532 19 92-55	PIN		1
5	532 44 22-48	NUT		1
6	873 97 05-00	NUT		1
7	532 43 75-06	DECAL		1
8	532 44 22-34	ROPE		1
9	532 13 20-04	NUT		1



WHEELS & TIRES

ST131,96181001300, 2014-07

Ref	Part No	Description	Remark	QTY KIT
1	532 44 21-20	WHEEL ASSY		1
2	532 43 54-17	NUT		1